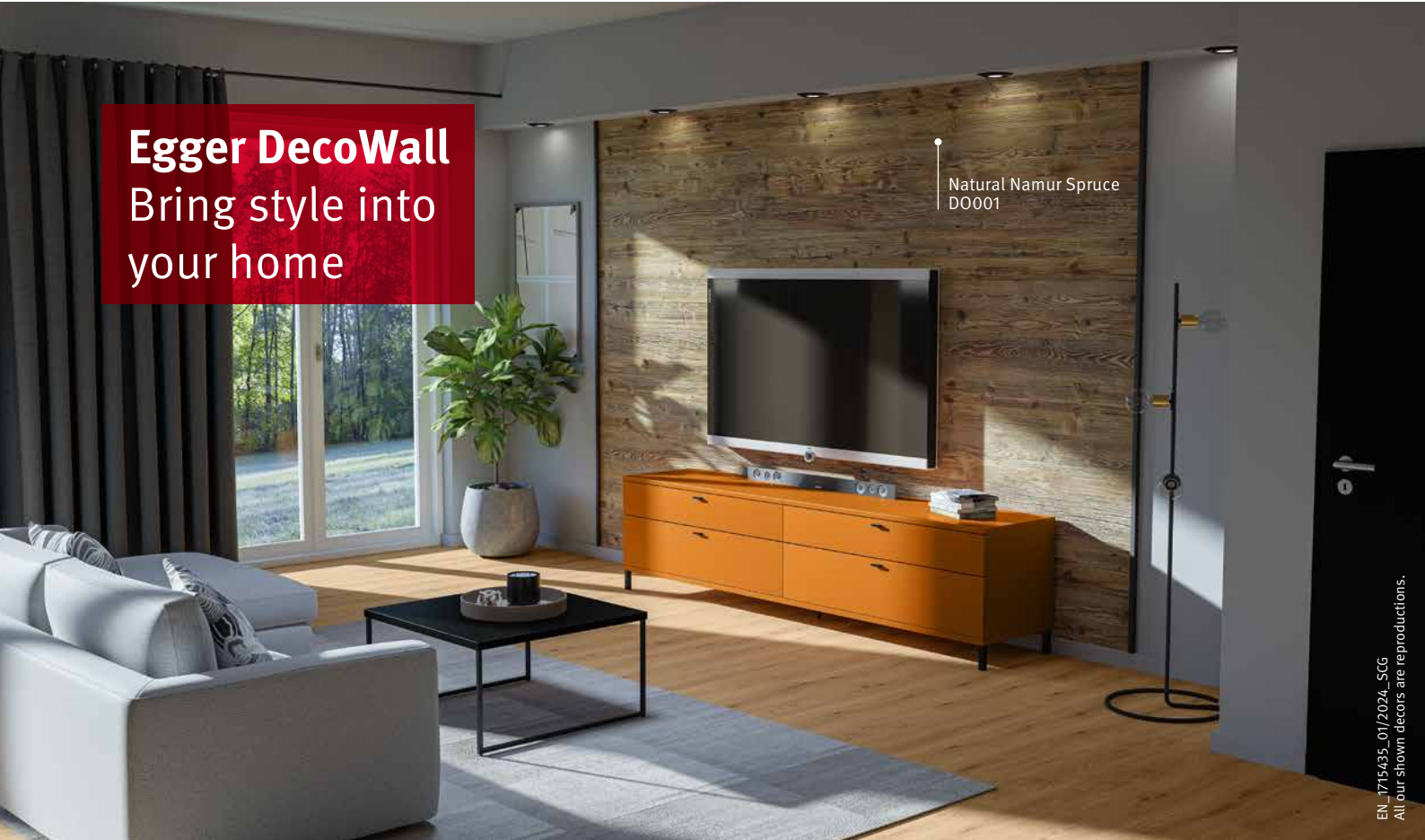


MORE FROM WOOD.



Egger DecoWall
Bring style into
your home

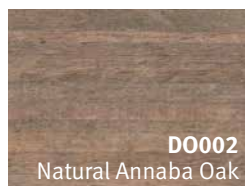
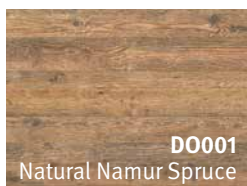
Natural Namur Spruce
D0001



EN_1715435_01/2024_SCG
All our shown decors are reproductions.

Design wall panels made of wood

- Impressive, authentic look and feel
- Handy format enables quick and easy installation
- Jointless installation thanks to the all-round tongue and groove profile
- Stable support when mounting TVs or shelves
- Light switches and plug sockets can be integrated easily and neatly



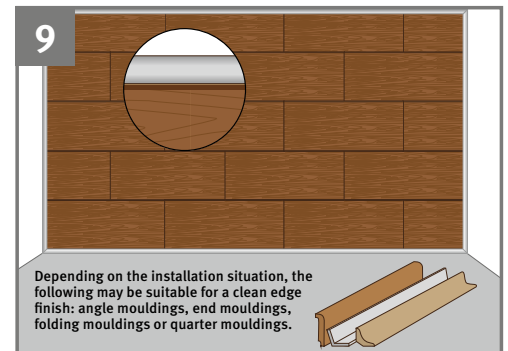
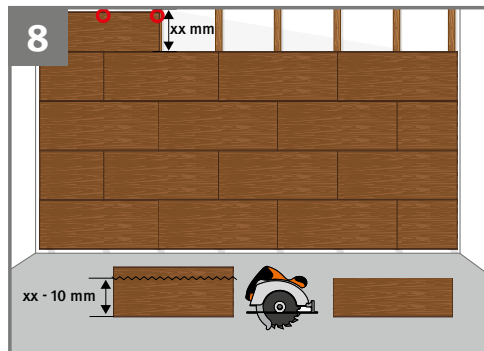
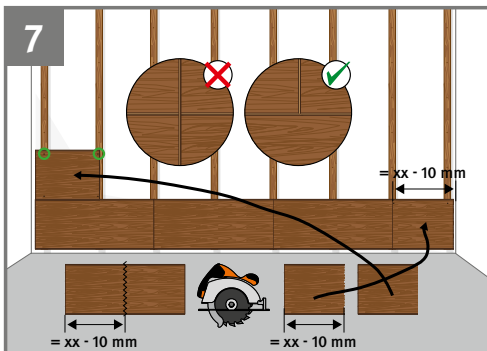
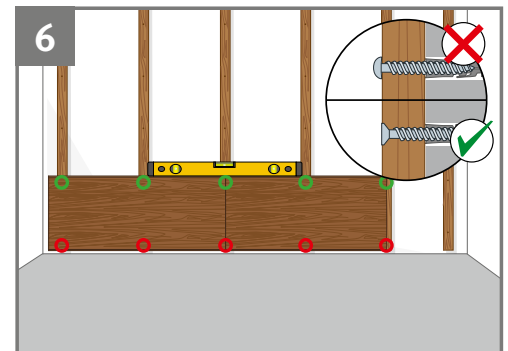
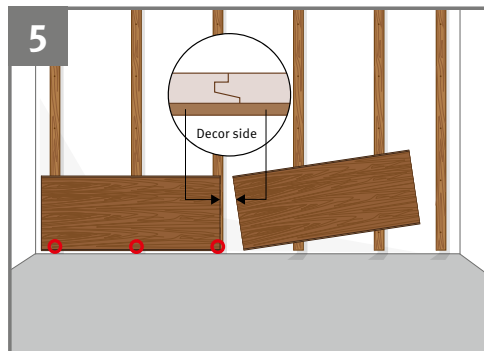
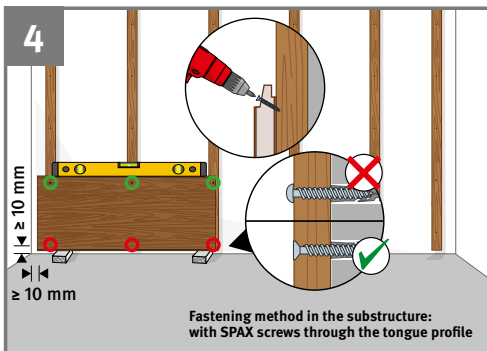
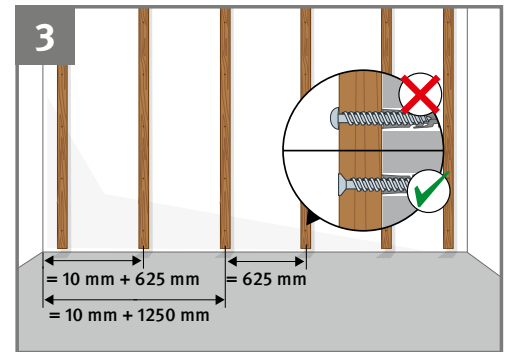
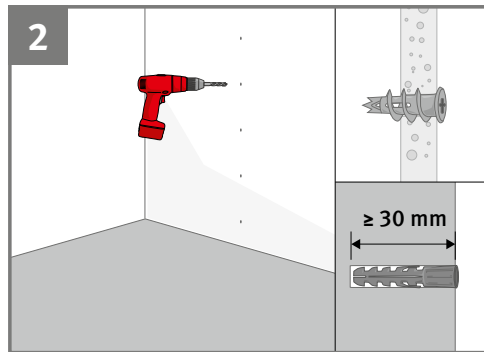
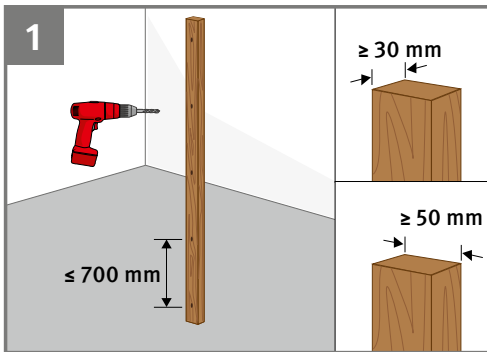
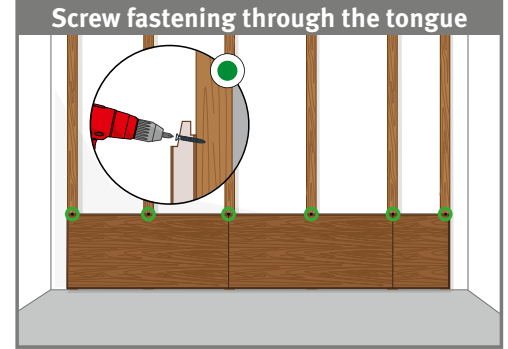
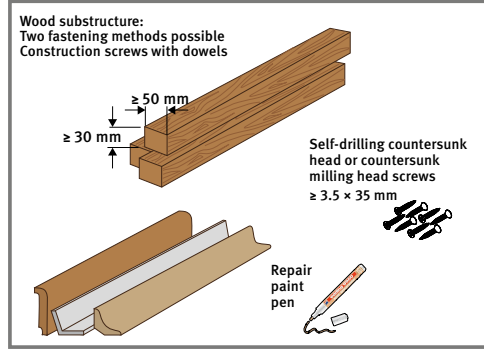
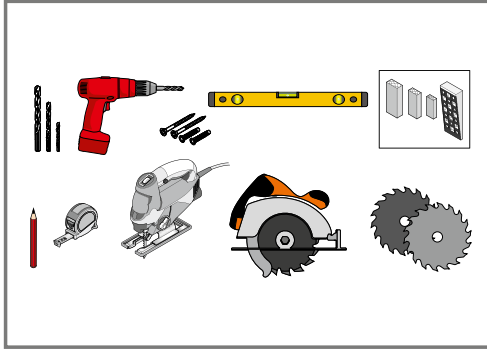
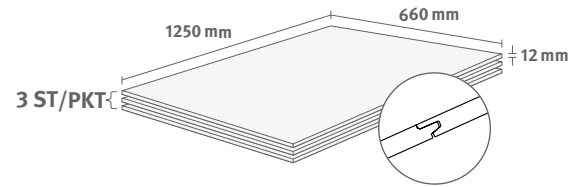
Made in Germany



to.egger.link/decowall

Excerpt from the assembly instructions for Design wall panels

Board thickness: 12 mm
Format (surface dimension) 1250 × 660 mm



The complete assembly instructions can be found at: to.egger.link/decowall



Safety advice: Wear suitable protective equipment, such as safety glasses, dust mask and gloves. To fasten so-called console loads (e.g., TV sets, shelves, wall cabinets) into the surface of the DecoWall boards, use SPAX or wood screws with a minimum diameter of 5 mm and a length of at least 30 mm. Use at least two screws per load and follow the manufacturer's installation instructions. The screws must be screwed through the entire board thickness.

Provisional note:

Subject to technical modifications and printing errors. These processing instructions have been carefully drawn up to the best of our knowledge. They are intended for information only and do not constitute a guarantee in terms of product properties or suitability for specific applications. We accept no liability for any mistakes, errors in standards, or printing errors. Furthermore, the further development of EGGER DecoWall as well as the amendment of standards and public documents may result in technical changes.