



TECHNICAL DATA SHEET

EGGER AQUA+ CLIC SEALER

PRODUCT:

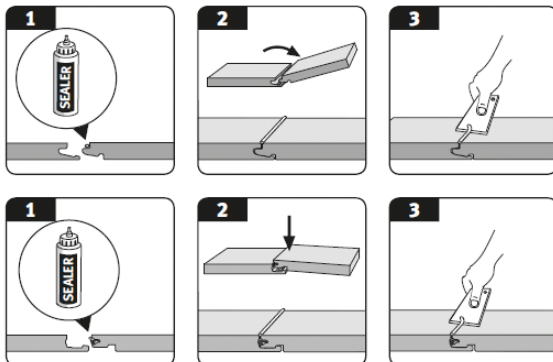
- EGGER AQUA+ CLIC SEALER is a solvent glue of natural rubber adhesive
- safety and water resistant joint sealing
- Protects the joints against the penetration of moisture and dirt
- Dries flexible and transparent
- suitable for aqua+ laminate flooring

APPLICATION:

- Easy and clean application
- Direct processing from the tube
- Installation conditions: temperature between $\leq 18^{\circ}\text{C}$ - , humidity between 40-70 %

The AQUA+ CLIC SEALER must be applied on the length and the width of the tongue of the element when installing. When the panels are joined, the sealer covers the entire seam. Make sure that there is no gap in the flooring joints under the glue which has oozed out. Excess CLIC SEALER is easy to remove from the surface immediately or after a short drying period.

(ATTENTION! Due to the profile, the right dosage of aqua+ CLIC SEALER must be observed, in particular on the short side).



TECHNICAL INFORMATION:

Consumption: 100 ml/ 74 g is sufficient ca. 10 m²

Colour: colourless, transparent

PACKING:

1 PU (packaging unit)= 1 tube = 100 ml/74 g, with Euro perforation for POS

1 BOX (presentation set) = 20 tubes

1 PALLET = 180 boxes = 3600 tubes

STORAGE:

- In unopened packing at least 24 months.
- Store cool and frost-free between +5 and +25°C
- Keep locked up and out of the reach of children.