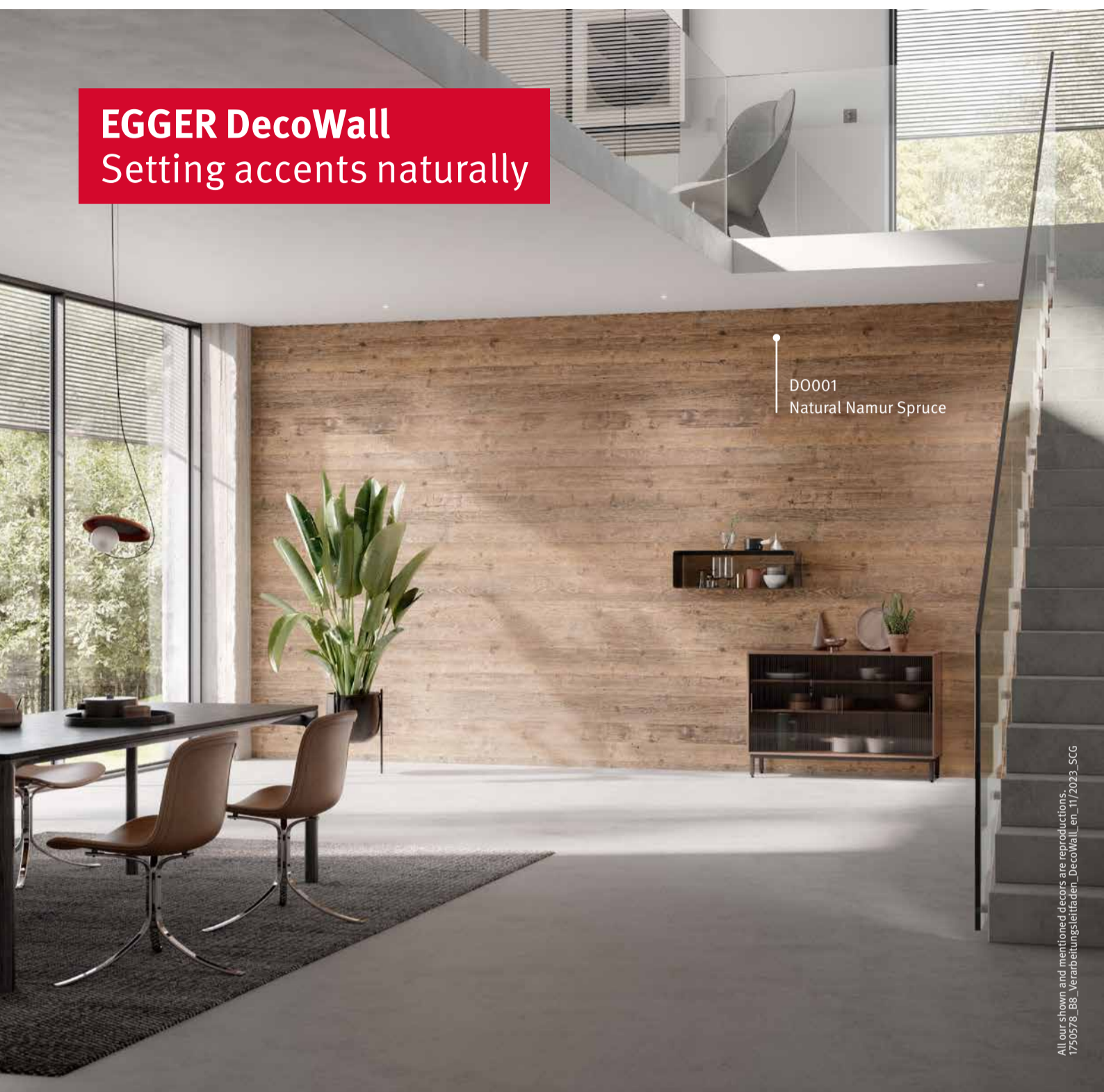


MORE FROM WOOD.



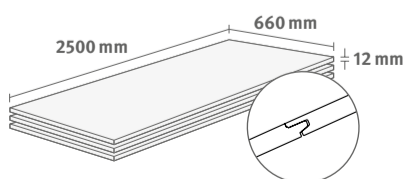
## EGGER DecoWall Setting accents naturally



All our shown and mentioned decors are reproductions.  
1750578\_B8\_Verarbeitungsleitfaden\_DecoWall\_en\_11/2023\_SCG

## Design wall panels made of wood

- Impressive, authentic look and feel
- Handy format enables quick and easy installation
- Jointless installation thanks to the all-round tongue and groove profile
- Stable support when mounting TVs or shelves
- Light switches and plug sockets can be integrated easily and neatly

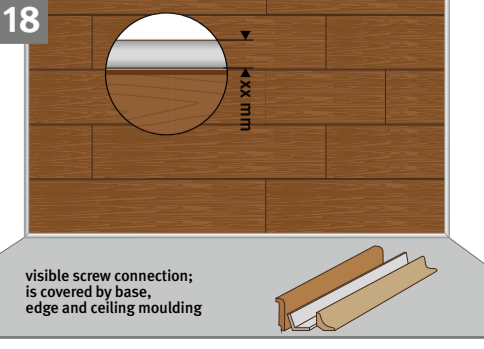
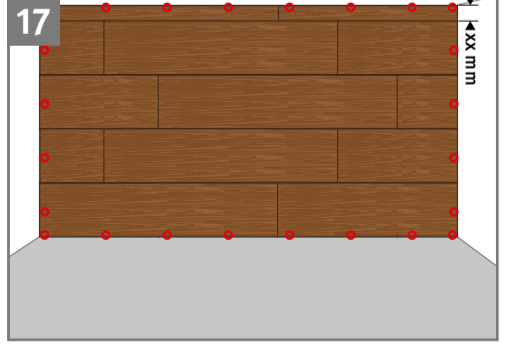
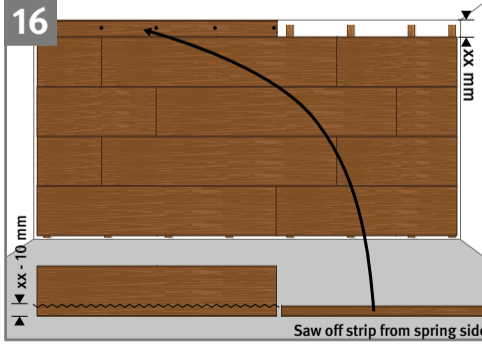
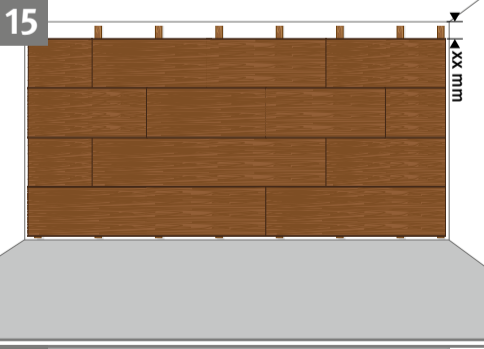
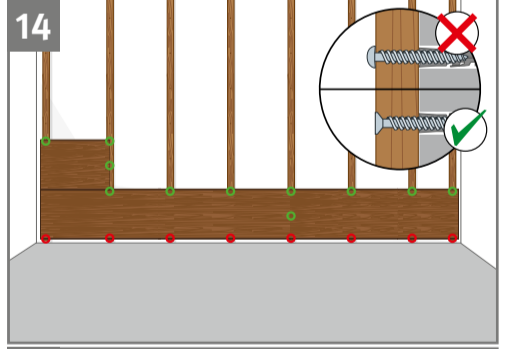
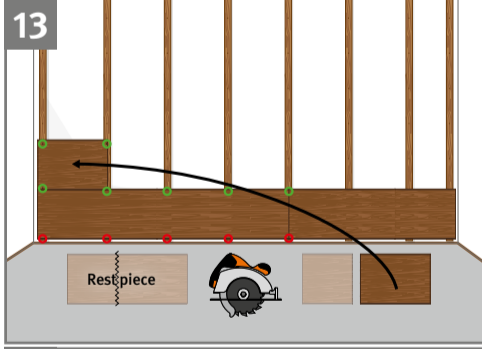
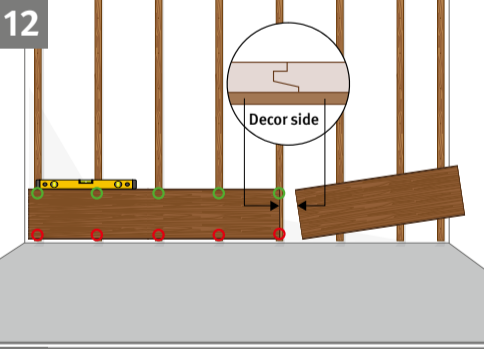
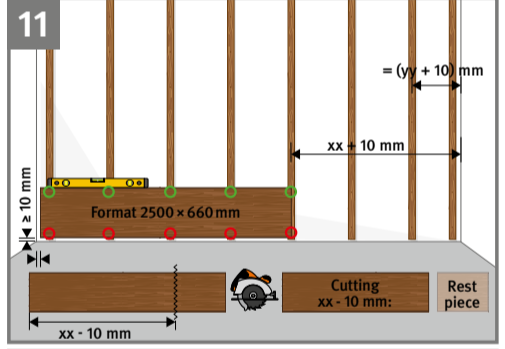
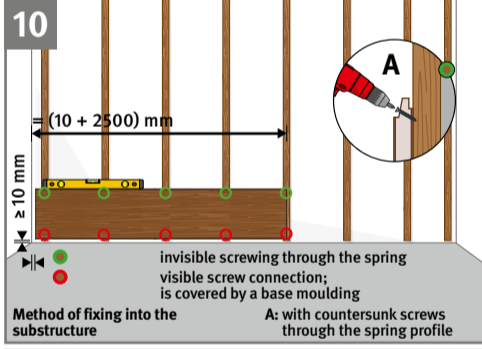
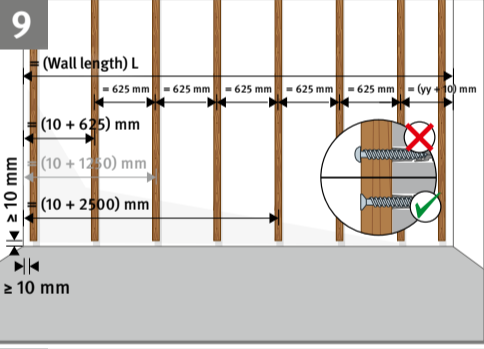
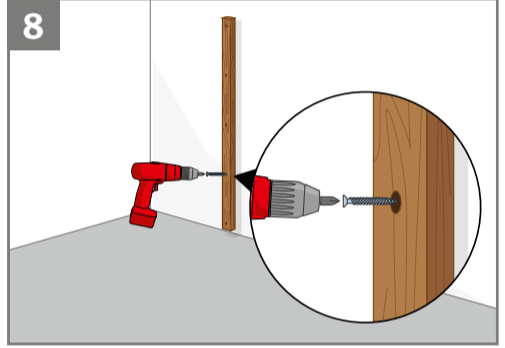
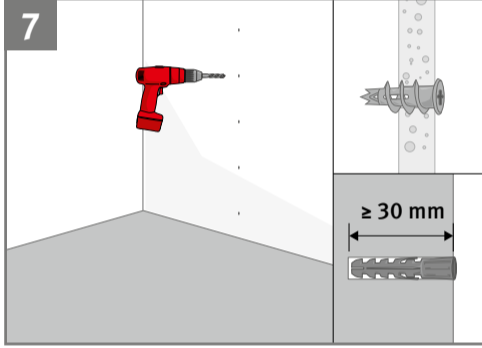
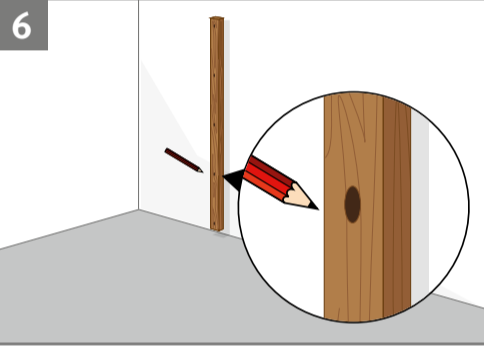
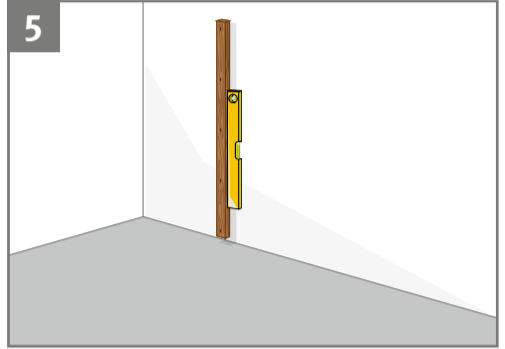
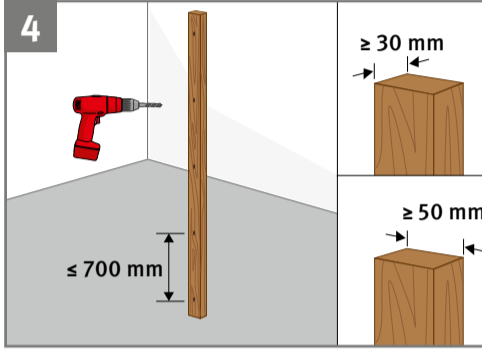
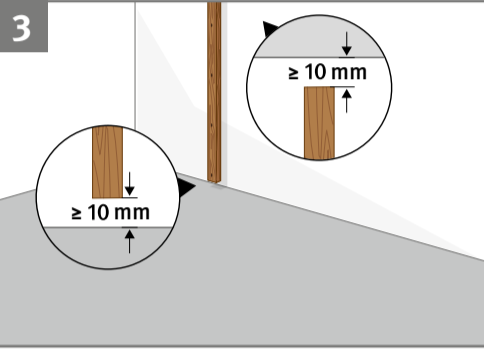
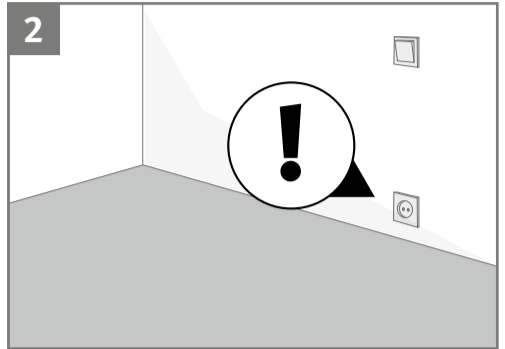
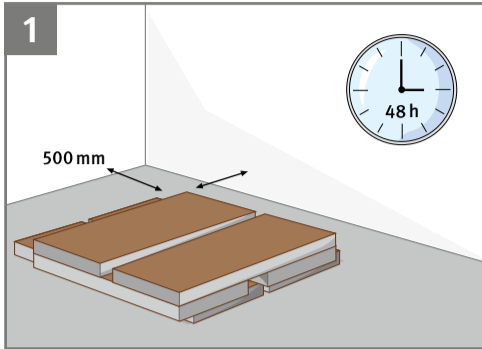
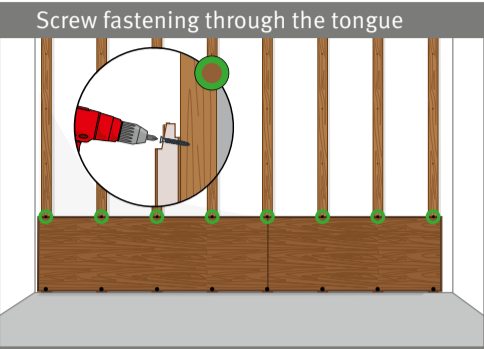
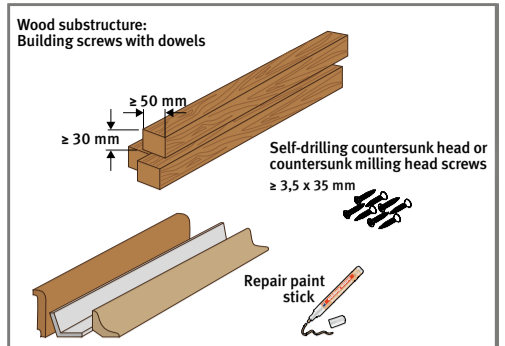
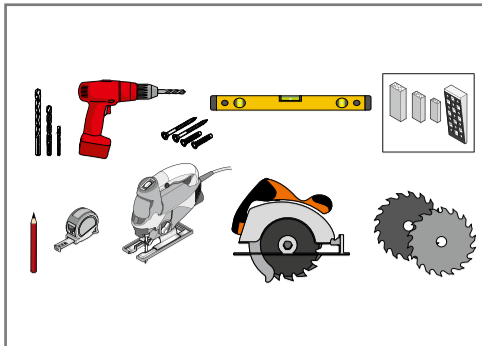


Made in Germany

[to.egger.link/decowall](https://to.egger.link/decowall)

# Installation instructions for wall paneling with EGGER Design-wall panels.

Board thickness: 12 mm  
 Format (coverage size): 2500 x 660 mm  
 Package contains: 36 ST/59,4 m<sup>2</sup>



**Safety advice:** Wear suitable protective equipment, such as safety glasses, dust mask and gloves.

**Provisional note:** Subject to technical modifications and printing errors. These processing instructions have been carefully drawn up to the best of our knowledge. They are intended for information only and do not constitute a guarantee in terms of product properties or suitability for specific applications. We accept no liability for any mistakes, errors in standards, or printing errors. Furthermore, the continuous further development of EGGER Deco Wall products as well as any amendments to standards and public documents may result in technical changes.

## Product recommendations and accessories

### Profile mouldings:

All base, edge and ceiling mouldings as well as corner profiles from the usual retail range are compatible with the EGGER DecoWall, such as:

- angle mouldings / folding mouldings / ceiling end mouldings / quarter mouldings in wood, plastic or stainless steel
- End mouldings in wood, plastic, stainless steel or aluminium

### Paint pens:

Repair pens can be used to repair chipped edges, for example:

- Edding 8900 furniture marker
- Edding 8901 furniture repair wax set
- Paint touch-up pens e.g. from Bondex, Adler-Lacke, HOLZmarker and many more.

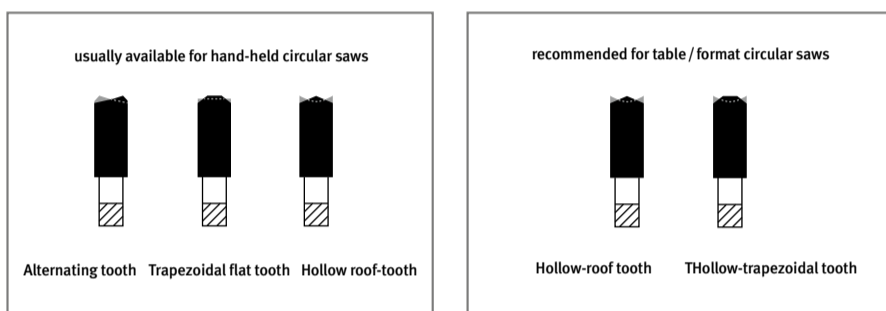
## Processing & cutting

### Sawing

#### Circular saw

A sharp saw blade must be used for the splinter-free cutting of the DecoWall boards. Fine, carbide-tipped saw blades with a high number of teeth, ideally 48 to 60 teeth, should be used to ensure a splinter-free cut. Saw blades with 60 to 72 teeth achieve an even better result.

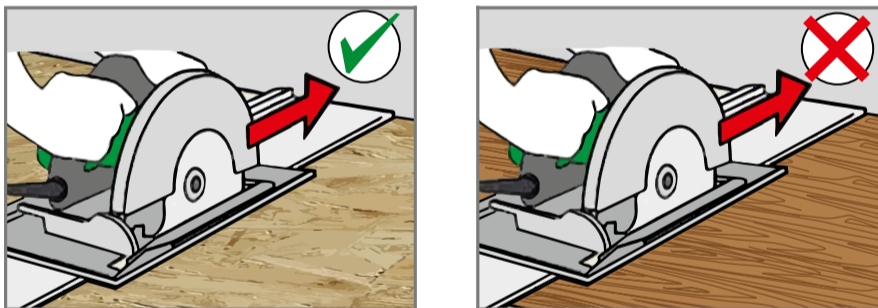
#### Recommended circular saw blades:



Saw blades with trapezoidal flat tooth are recommended for sawing DecoWall boards with a hand-held circular saw. However, saw blades with hollow roof tooth or hollow trapezoidal tooth are recommended for circular table saws. The finer the teeth, the fewer splinters will occur. You should saw at a reduced feed rate compared to sawing solid wood.

A few test cuts should be made on a test piece in order to adjust the blade projection on the format circular saw. A projection of >20–30 mm is recommended.

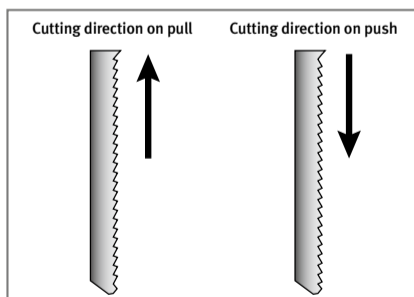
When sawing with the hand-held circular saw, the boards should be stored with the decor side down and vibration-free.



### Jigsaw

A jigsaw should only be used for small adjustment cuts (plug sockets, pipe penetration, etc.), as it achieves the comparatively poorest cutting result. The board piece must be supported vibration-free when sawing.

Long straight cuts should always be made along a template or marking. A slower cutting speed gives a better cutting pattern.

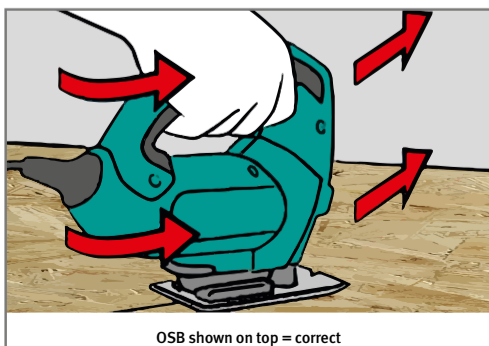


**Attention:** The cutting direction of the saw blade used must be observed. The jigsaws can work on pull (usual case) or on push.

**Attention:** With a reciprocating saw, the saw blade moves away from the cut when it is pushed downwards and presses against the material again when it moves upwards. If the jigsaw cuts on push, this function on the jigsaw should therefore be switched off.

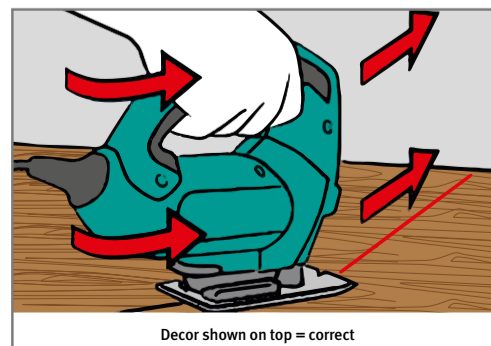
#### Jigsaw works on pull:

If the jigsaw works on pull, the cut must be made from the non-printed underside of the DecoWall.



#### Jigsaw works on push:

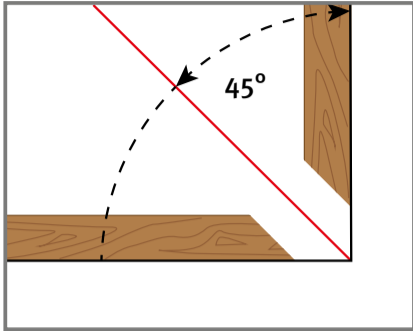
When sawing the DecoWall with the printed decor side on top, it should be sawn „on push“.



### Mitre cut

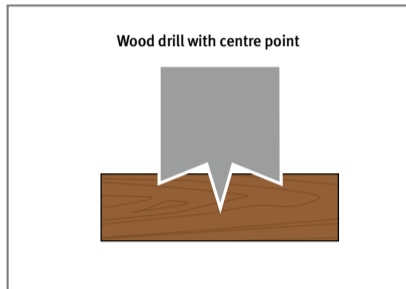
Mitre cuts may be necessary for the use of certain profiles, e.g. for cladding external corners. For the formation of e.g. 90° external corners, the boards can also be mitre-glued if required.

Before cutting, the area to be cut should be masked with painter’s masking tape on the decor side. This ensures a splinter-free cutting result. Cutting at an angle is no problem with a sharp saw blade tipped with carbide. To cure the glue, the corners can be fixed with an adhesive tape with good adhesive strength. This tape should be removed immediately after the glue has cured. It is advisable to make a test gluing on a test piece beforehand. Any small splinters can be concealed with paint pens in matching colours.



### Drilling and hole milling

Drilling can be carried out with a drill press or a cordless screwdriver. Here, too, care should be taken with sharp tools. The best results are achieved with wood drills with a centre point and pre-cutters.



### Fastening tools

#### Fastening the substructure to the wall

Depending on the type of wall (masonry, drywall, ...), the wooden slats of the substructure can be fastened with standard construction screws, dowels or impact dowels.

The wooden slats must be predrilled with a sufficient diameter.

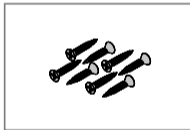
If the substructure is made with drywall metal profiles, the manufacturer’s instructions must be followed. The construction is then carried out like a facing shell.

#### Fixing the DecoWall into the substructure

The DecoWall boards can be fixed with screws or with bolt/profile claws as shown in Fig. 10.

#### Screws

When fastening with screws, it is always possible to screw into the board material right to the substructure due to the asymmetrical spring profile with the spring pointing upwards. This ensures a tight fit of the screws and high load-bearing capacity. The following screws can be used:

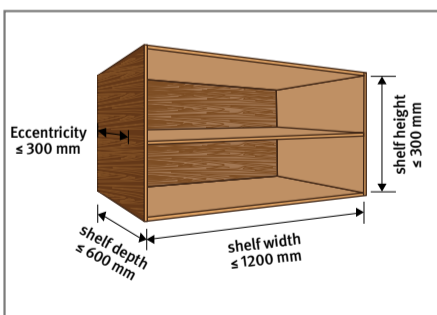


- Self-drilling countersunk head or countersunk milling head screws, at least  $\varnothing 3.5 \times 35$  mm
- If necessary, decorative screws for a visible mount.
- The first and last rows can be screwed visibly, as they are usually covered with skirting boards.
- Drywall screws with HiLo thread and countersunk milling head for a substructure made of metal

#### Fastening of console loads in the DecoWall panelling (e.g. wall cupboard, shelf, TV)

DecoWall boards are suitable for absorbing so-called console loads. The specifications are based on tests according to DIN 4103, whereby the load distance to the wall may be max. 30 cm. DecoWall boards can take console loads of 40 kg/m (corresponds to 0.40 kN/m mount length). To attach heavy console loads to the DecoWall wall panels, use chipboard or wood construction screws with a full thread and a minimum diameter of 5 mm.

Each console load must be fastened with at least two screws (max. 20 kg per screw). The screw connection must extend through the entire DecoWall board thickness. The screw length should therefore be at least 25 mm plus the thickness of the console load.



Up to 0.4 kN/m (40 kg/m) wall length						
Maximum permissible cupboard weight (kg) according to table						
Cabinet width mm	Cabinet depth mm					
	100	200	300	400	500	600
400	31	28	25	22	19	16
600	46,5	42	37,5	33	28,5	24
800	62	56	50	44	38	32
1000	77,5	70	62,5	55	47,5	40
1200	93	84	75	66	57	48

For intermediate values, assume less favourable value or use diagram method

### Care and cleaning recommendation

EGGER DecoWall does not require any special care with regard to its application as wall or ceiling cladding. The textured surfaces are generally easy to dust off or clean with water using a damp cloth. Please do not use any cleaning agents containing soap. Do not use sanitary cleaners or cleaning agents with abrasive components for cleaning, as such cleaners lead to changes in gloss level and scratches.