

Processing information

Instructions for replacing EGGER Laminate Flooring and EGGER Comfort Flooring with the glueless installation system *Just clic!*

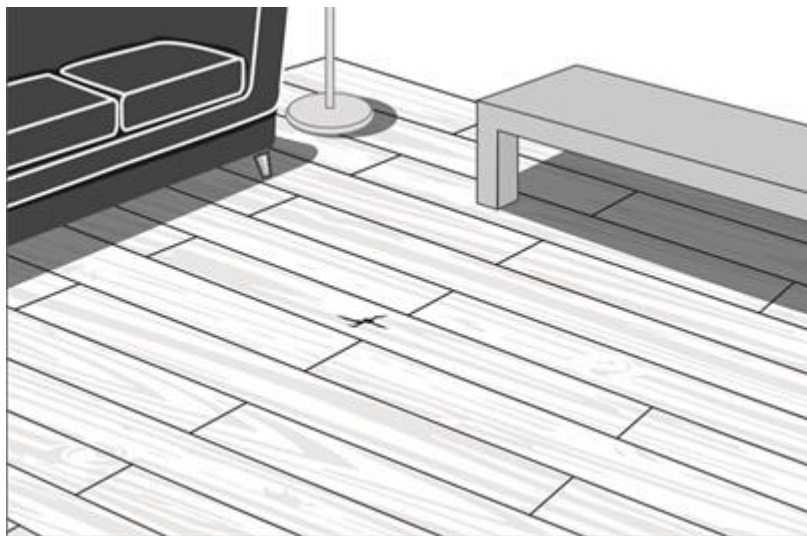


For EGGER Laminate Flooring and EGGER Comfort Flooring with the glueless installation system *Just clic!*, replacing individual components in the laid surface is possible by means of two approaches.

1. Replacement by taking up a partial surface

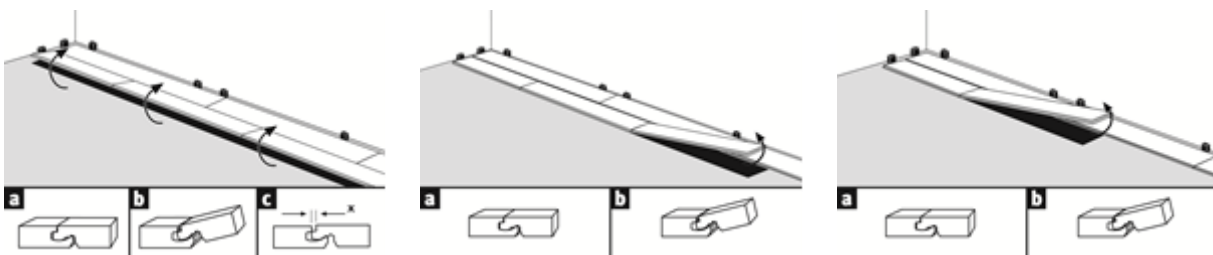
The laminate floor / comfort floor may, if the furniture allows it, be taken up in rows starting from a wall as far as the damaged component. **ATTENTION:** Taking up must be started from the tongue side of the component, i.e. from the side where the installation has finished. The components are unmounted by lifting in rows on the long side and then separated by lifting on the short side. It is advisable to store the components in rows, so that no confusion can arise during the new installation.

1.1.



Pick up from the wall in rows (from the side where the installation has finished)

1.2.



After removing the damaged component, it will be replaced by a new one which, together with the undamaged floor components, will be reinstalled as described in the installation instructions.

2. Replacement of an individual component

If the furniture or other circumstances do not allow for the previously described procedure, it is also possible to replace a single component in the surface. To do this, please proceed as described below.

2.1. What do you need for the component replacement?

2.1.1. Spare component

You need a spare component and one or two extra components.

It is essential that the spare components be stored for at least one week in an unpackaged condition in the room where the item is to be replaced. The reason for this is the necessary dimension alignment between the laid floor and the spare component.

2.1.2. Tools

You need:

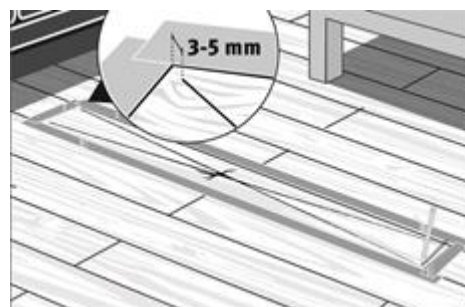
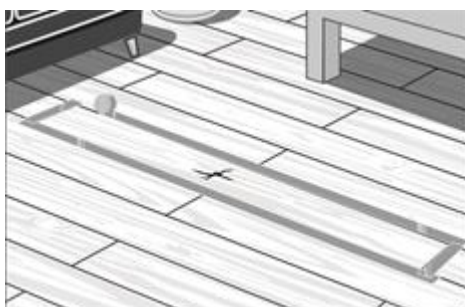
- an underlay for the tool
- a pencil or Edding pen
- Masking tape
- a plunge saw / hand-held circular saw
- a guide rail for plunge saw
- a vacuum cleaner
- a sharp chisel (broach)
- a hammer
- a glass lifter (glass suction cup)
- PU adhesive / D3 Weißleim
- weights
- Decor Mix & Fill

Always heed this basic rule: Your customer has already been disappointed enough by the damaged laminate floor / comfort floor. Your work will be observed closely. Laying your tool down on a separate storage shelf (such as underlay mat) and not on the laminate floor / comfort floor demonstrates your foresight and professionalism.

2.2. Marking the cuts

Tape all floor components adjacent to the damaged component with masking tape in the edge area (see image on left). This additionally protects the edge areas of the adjoining floor components.

Start by marking the saw kerfs on the damaged component. In doing so, fall short in the corner areas of the component about 3-5 mm from the actual material edge (see image on right).

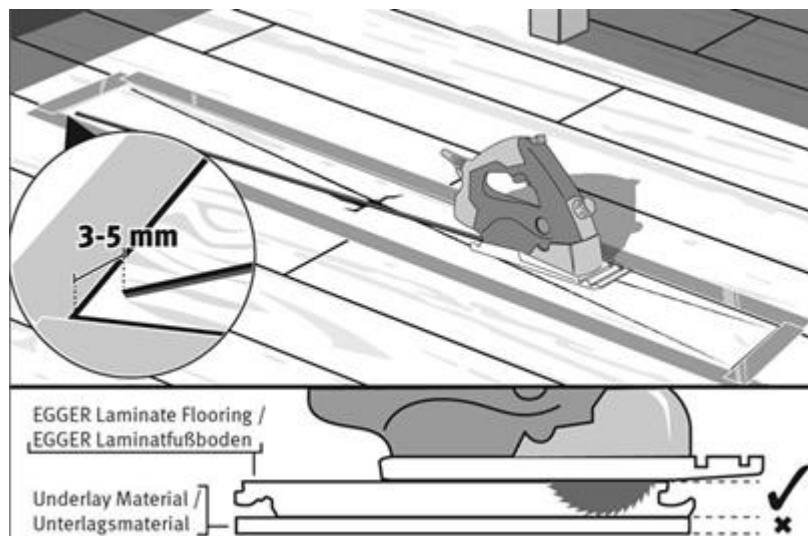


2.3. Sawing

Important:

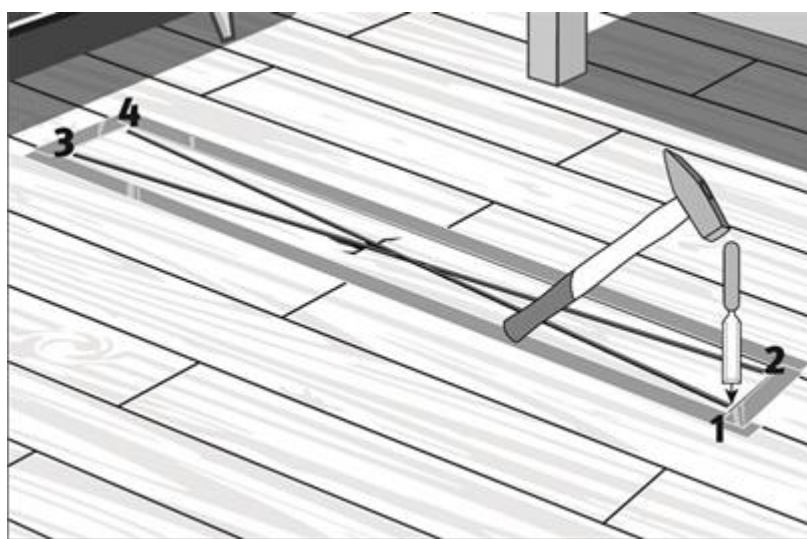
Before you start, please adjust the exact cut depth of the plunge saw. Cut depth = component thickness + height of the guide rail. Be sure to avoid damaging the insulating mat. Should damage occur however, correct it with damp-proof adhesive tape.

Use the plunge saw to saw along the marked line. Be sure to stop with your saw kerf at the previously marked material corner (see image). Before you start sawing, please attach the vacuum cleaner to the saw. Your customer will appreciate that.



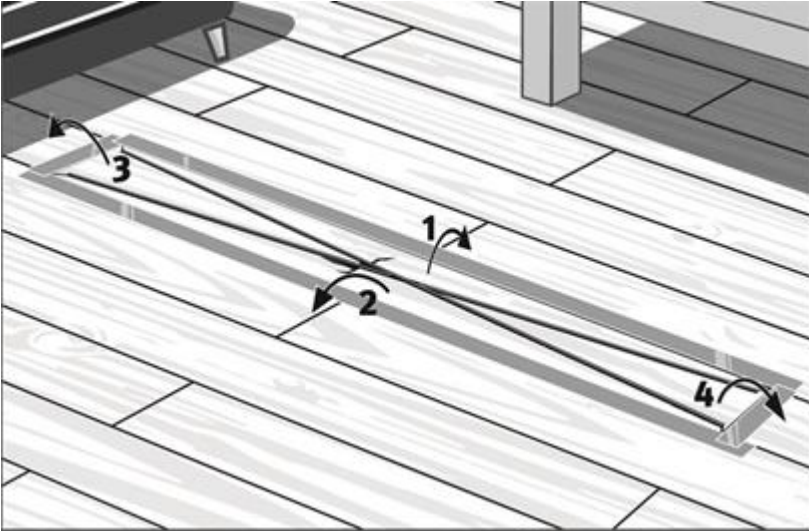
2.4. Removal of the component

Use a chisel to cut through the existing corner joints (see image). In the process ensure that the working direction leads away from the corner so as not to cause any damage to the adjacent components. Optionally, several small holes may be helpful here.



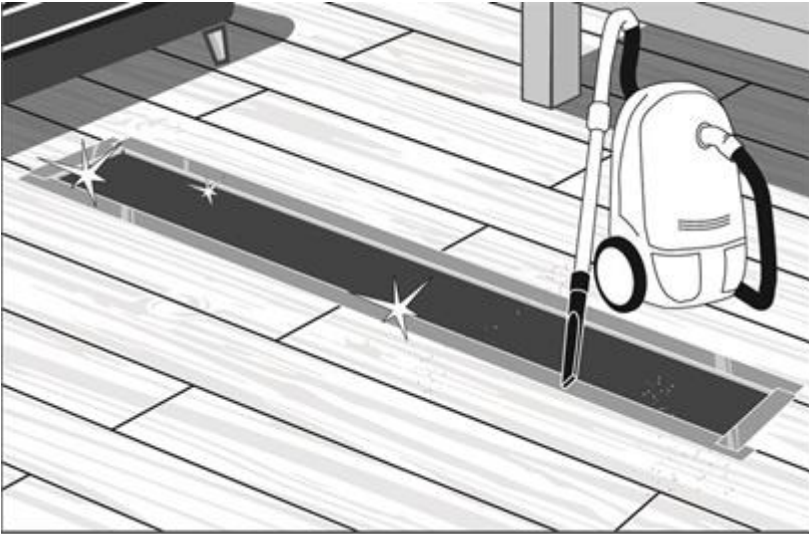
After you have cut through the remaining joint, you can insert a wide chisel into the saw joint and carefully remove the 4 segments in the order shown (see image). To do this, the individual segments are removed by bending and lifting from the

glueless locking mechanism. Take great care here not to damage adjacent floor components.



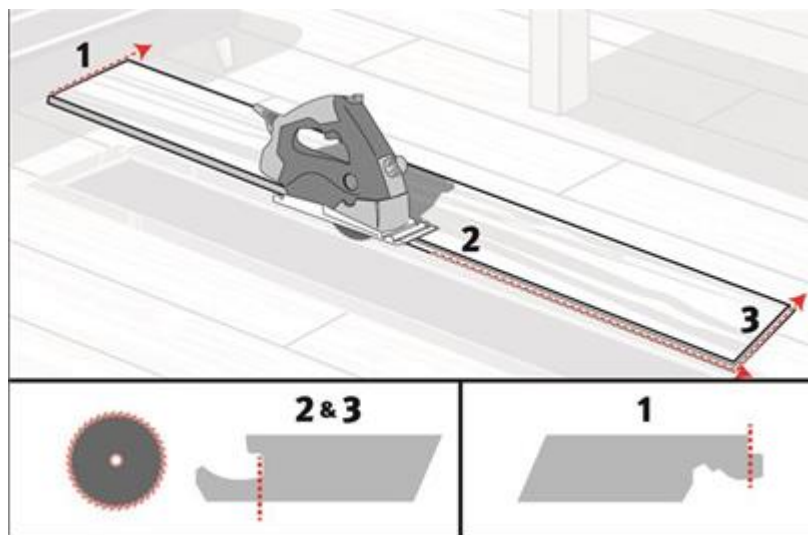
2.5. Cleaning

Thoroughly cleaning any existing dirt particles from the now exposed underlay mat as well as the tongue and groove areas of the adjacent components is a prerequisite for a perfectly fitting result (without raised lip). All dirt particles can be easily removed using a vacuum cleaner.



2.6. Preparing spare component

The lower convex groove on the long and short side is now removed on the spare component (see images 2 & 3). Please make sure that you readjust the saw to the correct cut depth. Afterwards the tongue is separated on the short side (see image 1). For this use a plunge saw with a guide rail or prepare the spare component in the workshop on a panel saw.

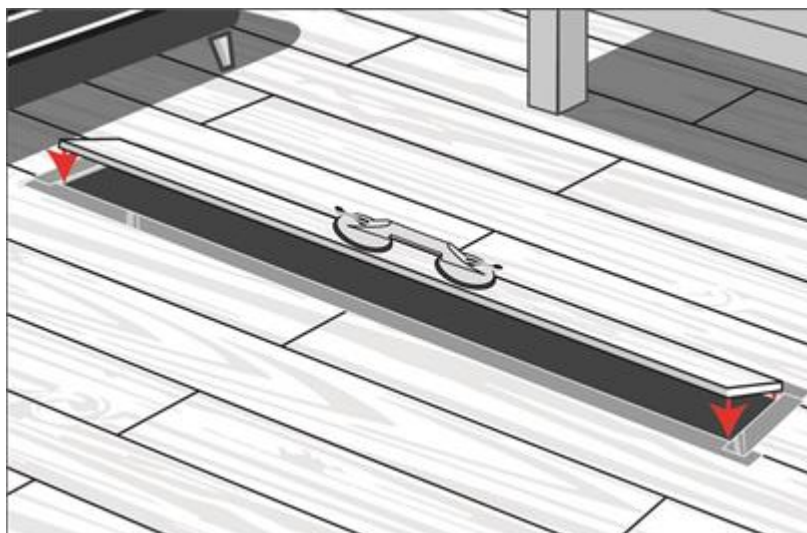


You are recommended to protect the original floor from any damage. That's why you should saw the spare component at a different place or on an underlay.

2.7. Final check

To check if the spare component fits into the cleaned opening, proceed as follows:

1. Do not apply adhesive (glue) during the check.
2. Attach the glass lifter to the spare component and lock the long side of the component by inserting it with the tongue side diagonally from above into the groove of the laid component and locking it in place by lowering (see image).
3. Now check the accuracy of fit and remove the component with the glass suction cup.
4. If necessary, regrind somewhat on the undersides and refit.

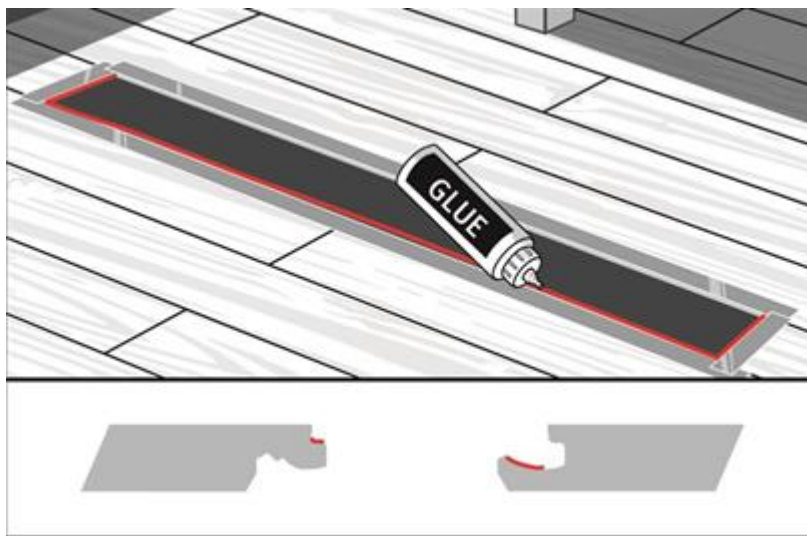


2.8. Gluing and installation

2.8.1. Gluing

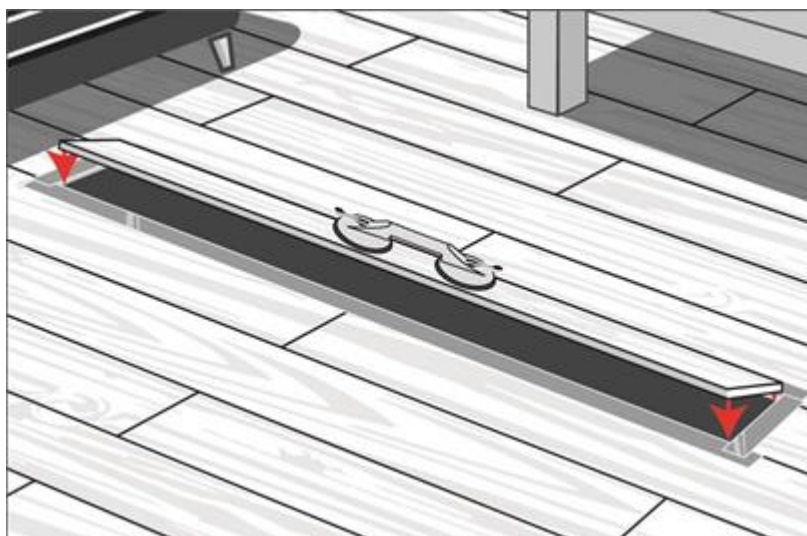
For gluing, please use a PU adhesive or D3 Weißleim.

Apply the adhesive / glue in sufficient quantity to the top face of the tongue and the grooves (see image).



2.8.2. Installation

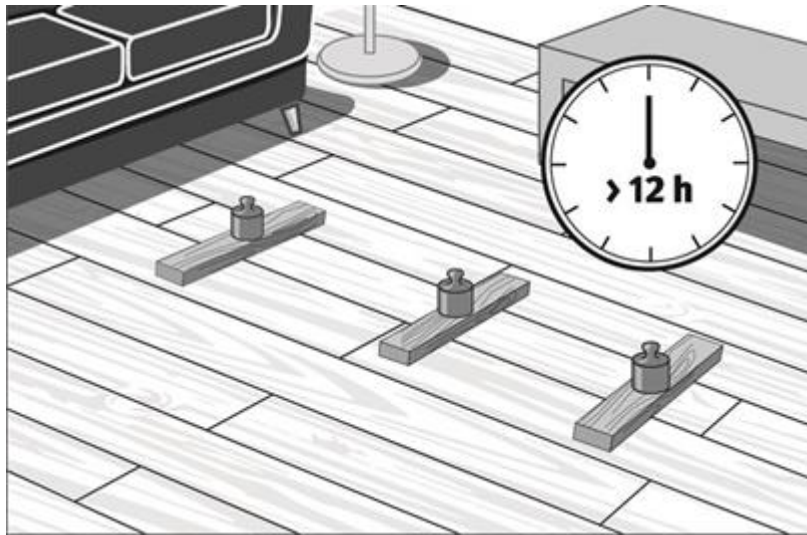
Now insert the spare component as described in point 2.8. Be even more careful, because if the components are damaged the whole procedure will have to be repeated.



Remove leaking adhesive (glue) in a timely manner (according to the manufacturer's instructions) with a damp cloth. Check the accuracy of fit of the newly inserted panel once more and subsequently weigh this down.

3. Concluding remark

The Laminate flooring component or Comfort flooring component installed in this way must now be weighed down for at least 12 hours (for example, with a toolbox, books) to allow the adhesive / glue to cure within these 12 hours. Only afterwards are you allowed to put weight on the repaired area. In order to avoid vibrations in the replacement area, the entire room should not be walked through for the 12-hour period.



All works are finished now. Check and clean the floor once again to leave a good and professional impression. If minor joints are still present after repair, fill them with decor matching Decor Mix & Fill.

4. One final note:

It would be best to practice your first plank swap in your workshop rather than at the customer's home/site. Experience shows that some initial difficulties are to be expected the first time.

Provisional note:

These processing instructions were prepared based on the best available information and with due diligence. The information provided is based on practical experience, in-house testing and reflects our current level of knowledge. It is intended for information only and does not constitute a guarantee in terms of product properties or suitability for specific applications. We accept no liability for any mistakes, errors in standards, or printing errors. In addition, technical changes may result from the further development of EGGGER Laminate Flooring as well as changes to standards and public law documents. Therefore, the content of this processing advice cannot serve as a legally binding basis. Our General Conditions of Sale and Incoterms apply.