

QUALITY MANAGEMENT ISO 9001

Codierung: TD_EGGER_Installation_Set_EN

Revision: 02

Datum: 05.11.2021

Technical data sheet

EGGER Installation Set



Application area

Installation set for the correct and safe installation of all EGGER flooring categories. Consisting of a tapping block with self-holding function, a pull bar with felt points as well as spacer wedges.

Technical Data

Product	Clipstar	
Material	Tapping block	100 % solid wood (<i>Fagus sylvatica</i>) (Self-holding function)
	Pull bar	Steel (Felt dots attached to the back)
	Spacer wedges	Polypropylene

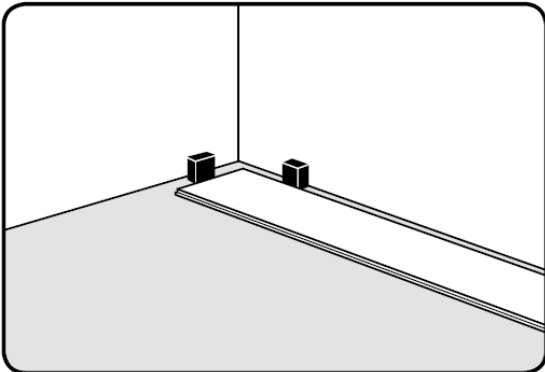
Logistic parameters

Description	Parameter	Tapping block	Pull bar	Spacer wedges
Specifications package	Quantity	1	1	20
	Dimensions [mm]	230 x 53 x 25	260 x 60 - 30 x 4	55 x 30 x 3 - 10
	Weight [kg] +/- 5 %	0,18	0,5	0,1
Specifications pallet	Quantity	960	960	19.200
	Dimensions [mm]	1200 x 800 x 1280		
	Weight [kg] +/- 10 %	815		

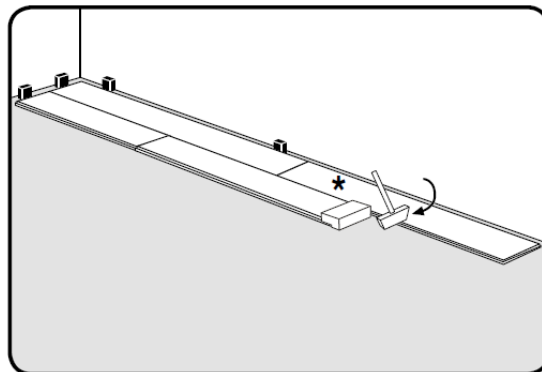
Storage

Store in a dry place away from direct sunlight.

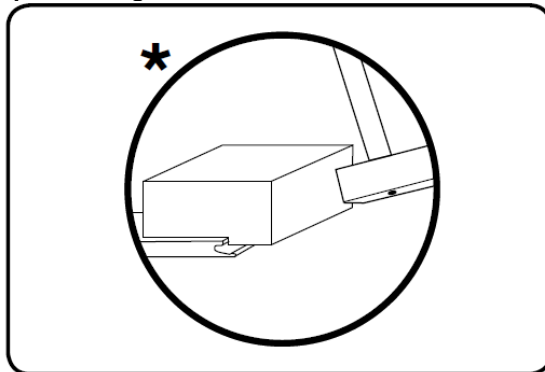
Application



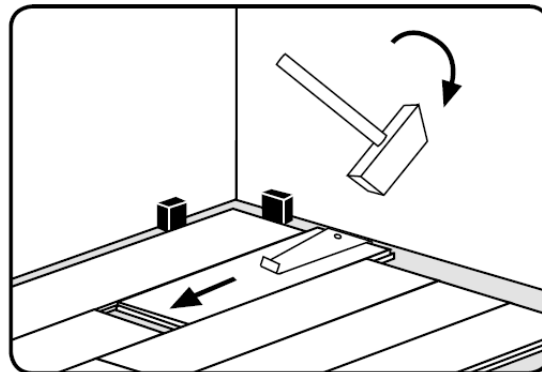
1. Create a wall clearance of at least 10 mm with spacer wedges



2. Follow the installation instructions for the EGGER floor



3. For EGGER floors with the Clic it! locking system, use the impact block for installation as shown



4. Pulling bar for installation in contact with wall

Information

All above mentioned values were determined under laboratory conditions and defined laboratory materials and structures and may with different system flooring components deviate from these test values. For all of the mentioned performance values inaccuracies are possible owing to the testing methods.

The information given above is based on our current state of knowledge and should be used for information of our product application. This should not be taken to as an assurance of certain quality of our products or their use for specific purposes. Subject to change, legal obligations cannot be derived from the information in this document. Existing commercial protective rights are to be observed.

A note on validity

This technical data sheet has been carefully drawn up to the best of our knowledge. It is intended for information only and does not constitute a guarantee in terms of product properties or suitability for specific applications. We accept no liability for any mistakes, errors in standards, or printing errors. In addition, technical changes may result from the further development of EGGER accessories as well as changes to standards and public law documents. This technical data sheet is not an instruction for use and is not a legally binding document.