

Technical leaflet

EGGER Worktop Connectors



The Compact Laminate Worktops require the use of special Worktop Connectors due to their material thickness. The connectors are available as a set and can be used for 12 mm thick worktops.

Form of delivery

Product	Components	Dimensions [mm]	Delivery contents	Packaging
Connector for 12 mm Compact Laminate Worktops	threaded rod	M4 x 125	2 pcs.	Set packed in polybag
	clamping plate	39 x 8 x 4	4 pcs.	
	hexagon nut	M4, AF7	6 pcs.	

Processing

The special Worktop Connectors guarantee simple and safe assembly. The number of connectors depends on the worktop width: 2 pcs. ≤ 799 mm width and 3 pcs. ≥ 800 mm width. Figure 1 shows the bottom side of a corner joint of two EGGER Compact Laminate Worktops (width 650 mm) with the EGGER Worktop Connectors. Figure 2 shows the corresponding dimensions of the milling pocket for the connector.

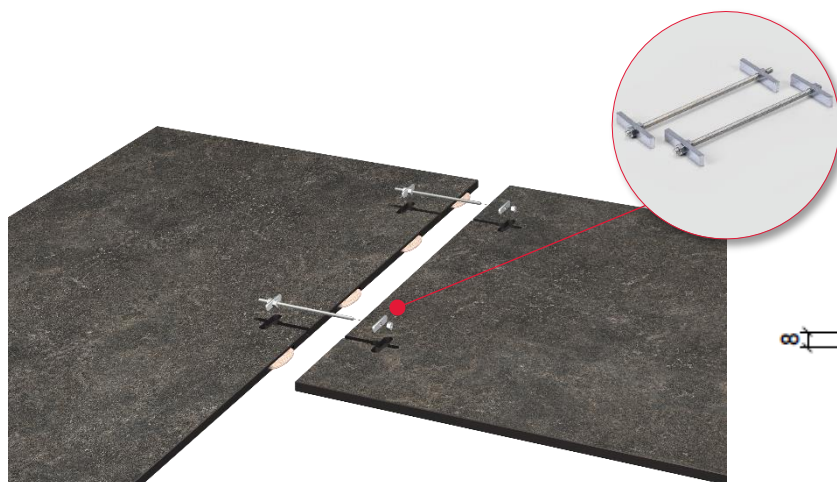


Figure 1: Joint 12 mm Compact Laminate Worktops

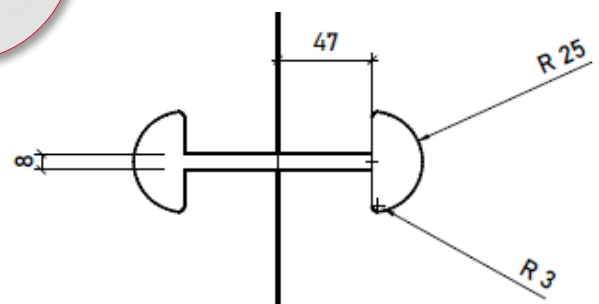


Figure 2: Sketch milling pocket – depth 8 mm

Additional documents / Product information

You will find further information in the following documents:

- Processing Instructions “EGGER Worktops”
- Technical leaflet “EGGER Sealing for Corner Joints”
- Technical data sheet “EGGER Compact Laminate Worktops”

Provisional note:

This technical leaflet has been carefully drawn up to the best of our knowledge. The information provided is based on practical experience, in-house testing and reflects our current level of knowledge. It is intended for information only and does not constitute a guarantee in terms of product properties or its suitability for specific applications. We accept no liability for any mistakes, errors in standards, or printing errors. In addition, technical modifications may result from the continuous development of EGGER Worktop Connectors, as well as from changes to standards and public law documents. The contents of this technical leaflet should therefore not be considered as instructions for use or as legally binding. Our General Terms and Conditions apply.