

Processing instructions

EGGER PerfectSense Lacquered Boards



Contents

- Contents 1
- 1. Product description 3
- 2. Safety 3
 - 2.1. General 3
 - 2.2. Work safety 4
 - 2.3. Formaldehyde 4
 - 2.4. Health hazard due to dust 4
 - 2.5. Fire and explosion hazard 4
 - 2.6. Melamine resins 4
- 3. Storage 5
 - 3.1. General instructions 5
 - 3.2. Information on protective film 5
 - 3.3. Conditioning 5
 - 3.4. Horizontal storage 6
 - 3.5. Vertical storage 7
 - 3.6. Handling 7
- 4. Tool recommendations 8
- 5. Processing 8
 - 5.1. Board expansion 8
 - 5.2. Cut-outs 9
 - 5.3. Edging 9
 - 5.3.1. Processing surfaces with deep textures and protective film 10
 - 5.4. Sealing of cut-outs/drill holes 11
 - 5.5. Bonding 11



- 5.5.1. Bonding with other materials 11
- 5.6. Screw connection 11
- 5.7. Flat screw connection 13
- 5.7.1. Fixed points 13
- 5.7.2. Sliding points 13
- 5.8. Fittings 13
- 6. Applications 15
 - 6.1. Wall cladding 15
 - 6.1.1. Substructure and rear ventilation 15
 - 6.1.2. Visible mechanical fastening 15
 - 6.1.3. Concealed mechanical fastening 16
 - 6.1.4. Non-visible glued fastening 17
 - 6.2. Furniture doors 17
- 7. Recommendations for cleaning and use 18
- 8. Disposal 18



1. Product description

PerfectSense Premium Lacquered MDF (medium density fibreboards) Matt have a matt, velvety-warm look and feel and anti-fingerprint properties. The innovative manufacturing process ensures high resistance and a long service life of the surface, which can be used for horizontal applications.

The MDF core boards guarantees a very smooth surface that invites to touch.

PerfectSense Premium Lacquered MDF (medium density fibreboards) Gloss impress with their special gloss and reflective nature. The innovative manufacturing process ensures high resistance and a long service life of the surface.

The MDF material as the core board also has a positive effect on the properties of the high-end surface.



PerfectSense Lacquered Chipboards combine the on trend matt look with textured surfaces on a chipboard core.

Thanks to the low gloss level, wood and material reproductions look natural. In combination with authentic textures, the surfaces get more contrast and reflective nature.

The matt lacquered surface also has an anti-fingerprint property.



2. Safety

2.1. General

The available tools, the processing instructions and the safety requirements should be known at the start of working with EGGER wood-based materials.

The boards may only be used within the scope of the technical limit values and properties. The technical properties and standard classifications of the boards are listed in the technical data sheets, which can be found on our website: www.egger.com.

Usage outside these values requires separate testing of the boards.

Only use suitable machines and tools for processing the boards. In case of doubt, consult the respective machine or tool manufacturer. When using the boards, use suitable fastening materials. In case of doubt, consult the manufacturer of the fastening materials.

With regard to the temperature resistance of EGGER wood-based materials, there is a basic distinction between long-term and short-term heat exposure. Temperatures of up to 50 °C are permissible for continuous heat exposure. We expressly point out that continuous temperature exposure > 50 °C can lead to cracks in PerfectSense Lacquered Boards. When using technical equipment that emits heat, such as laptops, we recommend leaving sufficient distance between the heat source and the surface to avoid heat accumulation and to be able to dissipate the temperature accordingly.

As wood is a hygroscopic material, its properties change due to exposure to moisture and changes in ambient humidity. When using wood-based materials in areas with increased humidity or in contact with water or other liquids, appropriate precautions should be taken, which are explained in more detail in the following document. For more detailed information on the recommended areas of application for the boards and the class of use with regard to use in dry and humid conditions, please refer to

the technical data sheets on our website: www.egger.com.

ATTENTION! Improper handling of the products can lead to damage that affects safety. This can lead to functional impairments and health risks. It is therefore imperative to follow the manufacturer's instructions for use. Handle and process the products conscientiously and with general caution.

2.2. Work safety

As a general rule, personal protective equipment (PPE) such as gloves, safety glasses, hearing protection, dust/breathing protection and safety shoes should be worn when opening the packaging straps and during processing.

ATTENTION! The products can be heavy. They must be properly fastened during handling and processing to prevent them from falling over, tipping over or slipping. Fastening helps to prevent product damage and injury. Do not lift the products alone if they are too heavy.

ATTENTION! Always use personal protective equipment (PPE) when handling and processing the products.

2.3. Formaldehyde

Formaldehyde emission classes are directly related to the core material used. For information on the formaldehyde emission of the core material you are using, please refer to the technical data sheets of the core materials, available online: www.egger.com.

WARNING! Processing and use outside the technical properties and recommendations of the boards may increase the emission of formaldehyde and thus create health hazards. Please observe the marked emission class for the product.

2.4. Health hazard due to dust

Dust may be generated during processing. There is a risk of sensitising the skin and respiratory tract. Depending on the processing and the particle size, especially in the case of inhalation of dust, there may be further health hazards. The generation of dust must be taken into account when assessing the risks at the workplace.

Particularly in the case of machining processes (e.g. sawing, planing, milling), effective extraction must be used in accordance with the applicable occupational health and safety regulations. Suitable breathing protection has to be worn if no adequate extraction system is in place.

2.5. Fire and explosion hazard

Dust generated during processing can lead to fire and explosion hazards. Applicable safety and fire protection regulations must be observed.

2.6. Melamine resins

Only polymerised resins are used for the production of EGGER wood-based boards, which do not exhibit any hazardous properties after curing in the product as such and are harmless for the intended use of the product. In particular, free melamine as such is not contained in them in a concentration that would trigger additional information obligations, for example under Regulation (EC) No. 1907/2006 (REACH). Furthermore, EGGER wood-based boards naturally comply with the existing migration thresholds according to Regulation (EU) No. 10/2011 on plastic materials and articles intended to come into contact with food.

3. Storage

3.1. General instructions

Wood-based materials should be stored, or processed, in a closed storage/workshop space with constant climatic conditions ($T \geq 10 \text{ °C}$ and at approx. 50-60% relative humidity).

Storage and processing conditions should correspond to the climate of subsequent use.

To ensure optimal flat storage, it is necessary to avoid the following negative impact on the product during transport, storage and processing:

- Storage in the immediate proximity of heating devices or other sources of heat
- Direct impact of heat radiation and direct sunlight (UV light outdoors)
- Uneven acclimatisation with increased air humidity variation
- Storage of individual boards; the stack's top and bottom boards react faster to changing environmental influences (climate) than boards inside the stacks

3.2. Information on protective film

The protective film is not used for labelling the workpieces and must remain on the entire surface during processing.

In the case of PerfectSense lacquered surfaces, the protective film must be removed immediately after processing or installation, but no later than 5 months after the delivery date, in order to ensure that the film can be removed without leaving any residue. Film-coated products must not be exposed to direct sunlight (UV radiation).

3.3. Conditioning

Wood-based material reacts to changes in ambient conditions with dimensional movement. For this reason, storage and processing conditions for the elements should correspond as closely as possible to the climate at the subsequent place of use.

Prior to installation, wood-based materials should be conditioned for an adequate period of time at the installation location under the conditions of subsequent use. Compliance with the storage recommendations is required on construction sites as well.

Wood-based materials must first be conditioned in the room climate where the processing will take place, so that the temperature of the material corresponds to the room temperature.

3.4. Horizontal storage

Stacking should be carried out on a load-bearing and level surface (see Fig. 1). Joists should have a uniform thickness and their length should correspond to the width of the board stack. The distance between the joists depends on the thickness of the boards.

Board thickness ≥ 15 mm: The distance must not be greater than 800 mm. In any case, at least 4 joists are recommended for half-format boards ($l=2800$ mm).

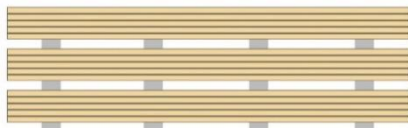
Board thickness < 15 mm: The distance should be less than 800 mm. As a rule of thumb, "distance = $50 \cdot$ board thickness (mm)" can be used.

To protect the board surfaces, always place the decorative tops of two boards against each other and/or use cover boards. If board stacks are subsequently fixed with steel or plastic straps, care must be taken to ensure adequate edge protection. This can be achieved with the help of special cardboard or by using protection boards. In the case of several stacks stored on top of each other, the joists must be placed in a vertical line underneath each other (see Fig. 2).
Protruding boards in stacks of the same size should be avoided.



Figure 1

Right



Wrong

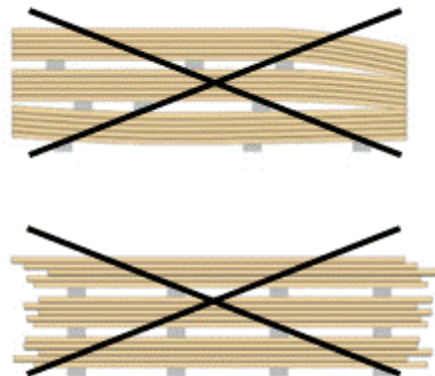


Figure 2

3.5. Vertical storage

Horizontal storage is always preferable to vertical storage because of its safety and better flatness. In the case of vertical storage, particular care must be taken to ensure that the boards are securely fixed. Adequate fixation can be achieved by means of closed storage racks, storerooms or shelves. The storage compartments should not exceed a width of 500 mm. If open storage racks are used, the contact surface must have a minimum inclination of approx. 10°. In addition, only same-format boards should be stored in open storage locations (Fig. 3 and 4).

Right



Figure 3

Wrong

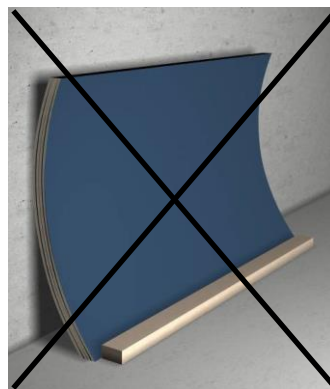


Figure 4

3.6. Handling

After removing the packaging and prior to processing, wood-based boards should be inspected for visible damage. As a general rule, all persons transporting and handling boards should wear personal protective equipment (PPE) such as gloves, safety shoes and suitable work clothing, given that the boards may have sharp edges. The boards must be lifted (see Fig. 5). The decor sides should never be pushed against one another or dragged over one another (see Fig. 6).

Right

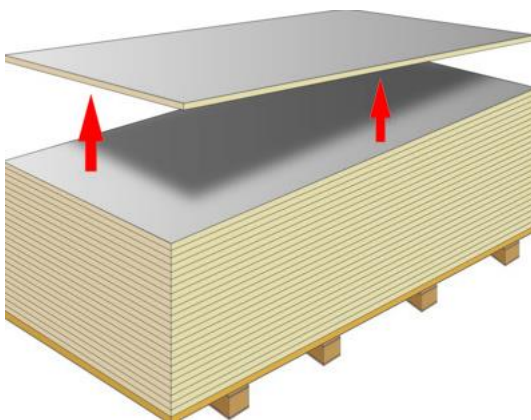


Figure 5

Wrong

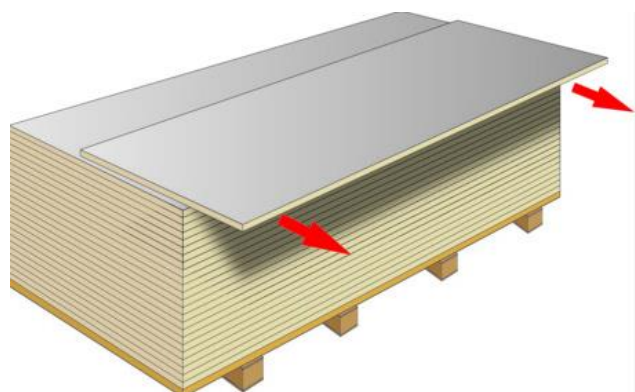


Figure 6

4. Tool recommendations

Detailed information regarding processing by milling, sawing and drilling can be found in the tool recommendations. These tool recommendations are based on various test series with the best machining results in cooperation with well-known tool manufacturers.

For more information, please visit www.egger.com/downloads

5. Processing

The continuous development of PerfectSense Lacquered Boards and tool/machine technology advancements may result in ongoing changes to our processing recommendations. We therefore recommend that you check this document against our website at: www.egger.com/perfectsense

5.1. Board expansion

Notwithstanding the good dimensional stability of wood-based materials, changes in the ambient conditions can result in format changes. The orientation of the chips and fibres in the core material gives the board a production or running direction (see Fig. 7). The format changes are different in the longitudinal direction than in the transverse direction. The format changes must be taken into account in the construction.

For wood-based materials, a change in relative humidity of 10% (between 20% and 80%) can cause a change in board moisture of 1.6%. The greater the change in relative humidity, the more expansion can be expected. It is therefore important that the board is conditioned beforehand in the appropriate room climate to avoid greater expansion as a result of sizeable changes in board humidity. The table below shows the dimensional movement to be expected from several different humidity changes.

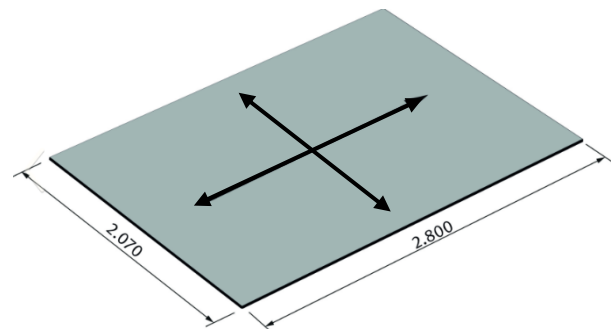


Figure 7

Rel. humidity at installation (%)*	Rel. humidity at time t (%)	Dimensional movement (mm/m)
65	85	1.6
65	30	-1.9
30	85	3.5

*At a temperature of 20 °C

Different climatic conditions in front of and behind laminated boards can also lead to warping or curvature of the board. For this reason, wall cladding with EGGER wood-based materials should always be executed with sufficient rear ventilation, which enables temperature and moisture equalisation or acclimatisation.

The production direction of boards can often only be recognised from the production dimensions. Woodgrains and directionally printed decors constitute an exception. When working with cut-to-size boards, it is important to ensure that the production direction is always matched up during installation. In view of the risk of confusion in the case of cut-to-size boards, the running direction should be marked on board leftovers.

5.2. Cut-outs

As a rule, before processing, it is important to ensure that the board is always securely in place so that no damage is caused by sawing, milling or drilling work. Especially narrow joining areas can break during machining due to improper storage. The board cut-outs must also be secured so that they cannot fall out or break in an uncontrolled manner and thus injure persons or cause other damage.

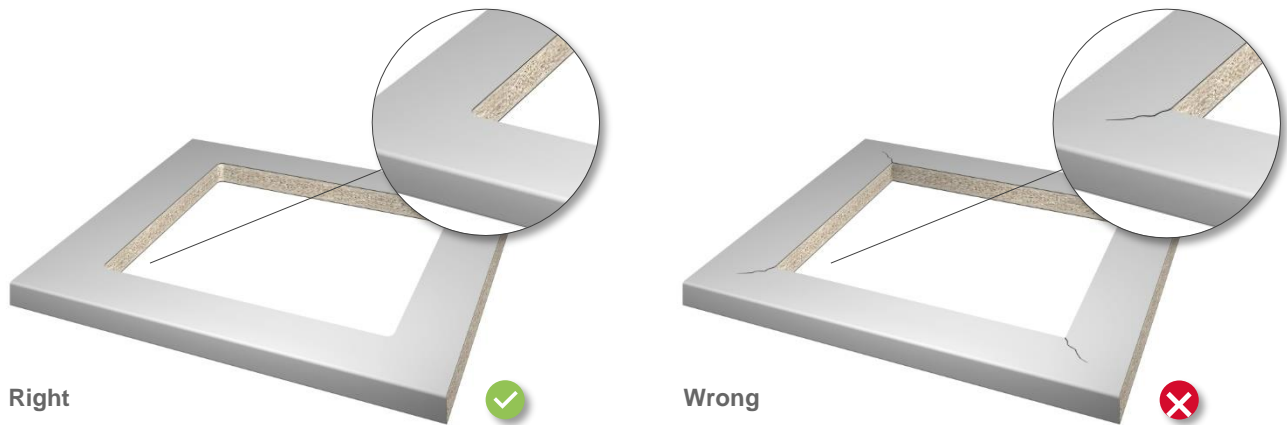


Figure 8

Rectangular cut-outs should be provided with a radius in the corners, as sharp-edged corners are detrimental to the material and lead to cracking (see Fig. 8). This is especially true for kitchen back walls, furniture bodies, shelves, etc., where increased shrinkage stress occurs due to frequent exposure to heat from drying. When using lighting (built-in spots), it must be ensured that a continuous temperature load of 50 °C is not exceeded.

For a clean, tear-free edge, the cut-out should be milled, preferably with a CNC router or a manual router. When using saws (e.g. bench circular saw), there is a risk that splinters can occur at the edging. These can vary depending on the machine, type of saw blade, saw tooth, etc. In the case of workpieces that are only visible on one side, it is possible to place the splinter that resulted from sawing on the non-visible rear side. Finishing the edges, known as “edge breaking” with sandpaper or other tools, is recommended to exclude notch cracks due to chipping and to avoid cut injuries during handling.

5.3. Edging

Depending on the intended use, wood-based materials are equipped with edging that provides the matching finish to all decorative coatings and take on a protective and design function. As part of the EGGER decor and material match, we also offer the matching edging for the decorative wood-based materials. EGGER edging is offered in various plastics such as ABS, PP, PMMA or PVC.



Edging is normally carried out with standard edging machines using hot-melt adhesive technology or with processing centres. For edge application, these are glued on, trimmed, milled and processed with draw blades and polishing mops. The manual application of edging is also possible using a gluing stand or edging press.

The edging has an adhesion primer coating on the rear side, which is necessary for perfect bonding. This coating has been optimised for use with EVA, PA, APAO and PUR hot-melt adhesives. Bonding cannot be guaranteed with white glue.

Like the core board, the edging material must be conditioned beforehand in the room climate where the processing will take place. Further information can be found in the data sheets or processing instructions for the edging at www.egger.com

5.3.1. Processing surfaces with deep textures and protective film

It is recommended to use regular release, cooling and cleaning agents when processing edges that are equipped with protective film for the protection of the surface. The release agent may be sprayed onto the first pressure roll or directly onto the boards and edging surface after covering the edge. If the protective film becomes loose during processing on cycle systems, it is recommended to check and clean the heads and use a lubricant to minimise friction between protective film and head. The protective film should only be removed upon final installation of the furniture, so as to protect the edge for as long as possible from external influences. PerfectSense Gloss and PerfectSense Matt edges are suitable for processing on cycle systems as well as on machining centres. Please observe the general processing instructions for EGGER ABS edging.

- The use of release agents in edging machines is not necessary due to the protective film
- We recommend the use of colour complimentary or clear adhesives to achieve a clean edge aesthetic
- Adhesive g/m² must be adjusted to suit the application to avoid overspill – the more adhesive allowed to escape, the more difficult it is to clean
- Fine adjustment of the machining units is necessary i.e. the profile scraper must be set respectively lower than the keying in relation to the protective film
- The flat scraper should be adjusted so the protective film is cut back 1-2 mm, this allows any leaked adhesive to be removed by cleaning brushes
- Tools with an appropriate clearance angle are recommended
- Manual reworking and especially cleaning may be necessary
- Any adhesive left on the surface after processing must be removed as soon as possible with a suitable cleaning agent, this is particularly important when using PU based adhesives

For more information on edging deep textures, please refer to our Technical Leaflet at [www.egger.com/Edging deep textures](http://www.egger.com/Edging%20deep%20textures)

5.4. Sealing of cut-outs/drill holes

In principle, Lacquered Boards used as table/worktops, fronts, etc., are reliably protected against moisture penetration by the coating. Moisture and damp can still reach the core board, however, via unprotected edges such as cut-outs, corner joints, mitres, back edges, drill holes, screw holes and fasteners. Especially in the case of horizontal surfaces, the necessary and final sealing work must always be carried out during final assembly. EGGER edges (thermoplastic edges) are used to seal visible cut edges. The best products for sealing hidden cut edges have been found to be sealing profiles and self-curing sealants, such as silicon rubber, polyurethane and acrylic (Fig. 9). When using sealants a primer also has to be applied; either one that forms a film or a cleaning primer depending on the material.

You must follow the manufacturer's instructions carefully when using these materials!

It is absolutely essential that you clean the areas you are sealing and to allow the manufacturer's specified venting time when using primers. Apply the sealant leaving no gaps or holes and then smooth over with water and detergent. Areas near joints should be masked off to prevent the surface from becoming dirty. Any pipes or cables must be centred so that a minimum distance of 2 to 3 mm is maintained on all sides of the feed-through. Careful sealing is also required.

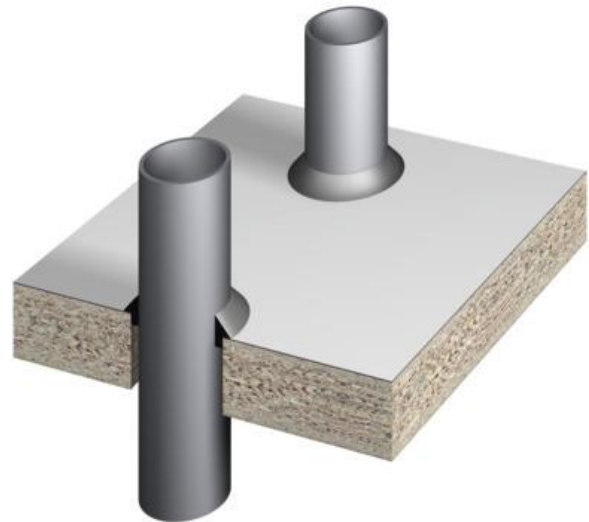


Figure 9

5.5. Bonding

To avoid stress, only adequately conditioned wood-based materials should be bonded together and always only in the same running direction. Prior to bonding, the boards have to be sanded, free of dust, grease and dirt, and pre-treated as necessary. Bonding trials are recommended. Please observe the processing guidelines of the adhesive manufacturer.

5.5.1. Bonding with other materials

When bonding wood-based materials with other materials such as metals and plastics, it is always important to ensure that the adhesive is suitable for the bonding and does not attack the materials in question. For example, a solvent-free and silicone-free mirror adhesive should be used for bonding wood materials to a mirror. It is recommended to follow the adhesive manufacturer's instructions and to consult them if anything is unclear. The different expansion behaviour of the different materials must also be taken into account.

5.6. Screw connection

If fittings, wall end strips, etc., are fastened to wood-based material surfaces, the surface must be pre-drilled in the area of the screw connection. The drill holes should be 1 mm smaller than the screw diameter to avoid tension in the material and to be able to screw in the screws sufficiently tight. Alternatively, self-tapping screws can be used. With horizontal surfaces, we also recommend protecting the inside of the screw hole with sealant before screwing.

Joints that are subject to heavy loads, such as corner and body joints, can be strengthened by combining bonding and fasteners, shaped springs or grooves.
Note that a residual material thickness of 3 mm is taken into account for screw connections parallel to the edge or to the top or bottom of the board (see Fig. 11 and 12).

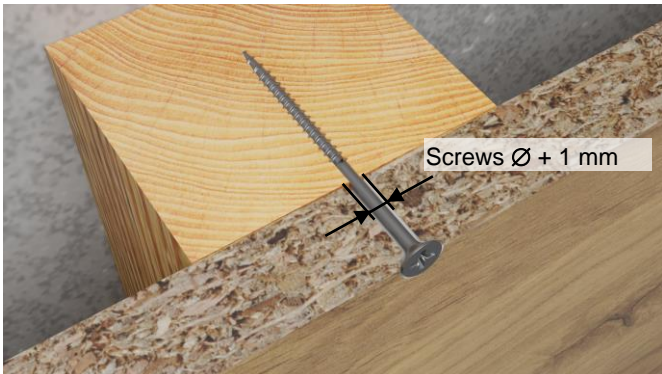


Figure 10



Figure 11

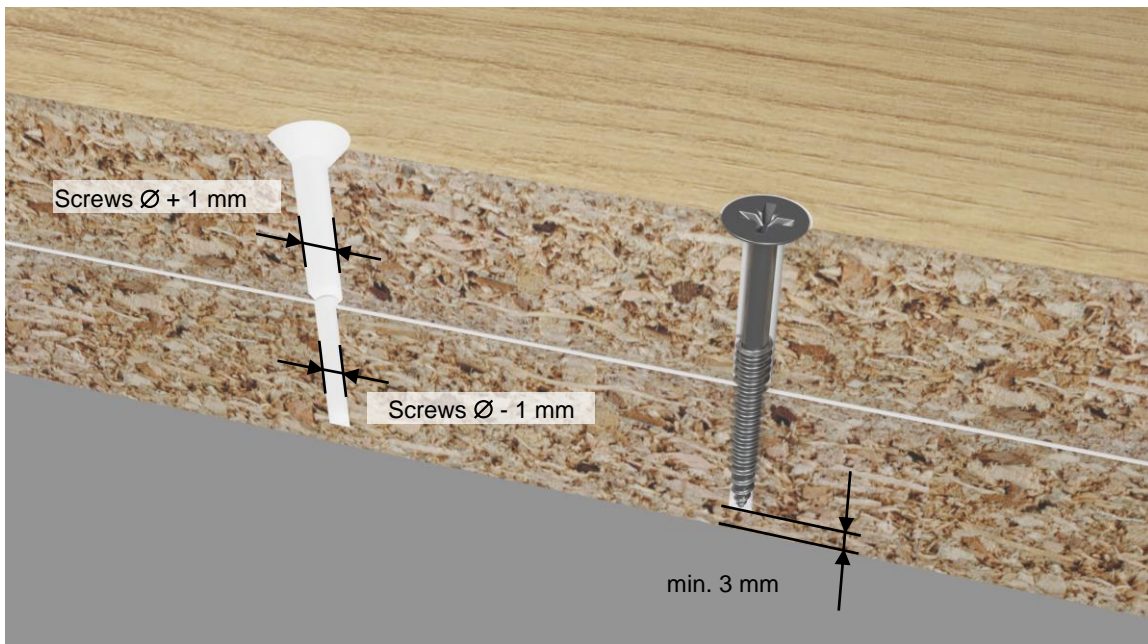


Figure 12

5.7. Flat screw connection

Flat screw connections with trough holes must have sufficient clearance to compensate for the dimensional movement resulting from temperature and humidity fluctuations. In this way, tension due to the dilation and shrinking movement resulting from changing climate conditions can be avoided. Floating points and a fixed point are implemented on the individual elements for this purpose.

When screwing two boards together using countersunk screws, it is recommended to countersink the screw holes with a countersink before screwing in the screws. This ensures that the coating of the board around the screw is not damaged. The board to be fixed should have a hole larger by 1 mm, the other should have a hole smaller by 1 mm, so that the screw can be screwed in (Fig. 12).

5.7.1. Fixed points

The fixed point serves to evenly distribute the expansion play and should be positioned as centrally as possible. The drill hole diameter is the same as the diameter of the fastener (see Fig. 13).

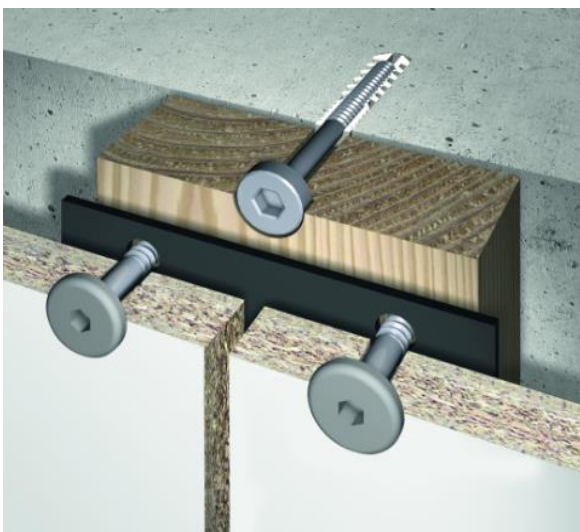


Figure 13



Figure 14

5.7.2. Sliding points

The drill hole diameter of the sliding points should be larger than the fastener (see Fig. 14). The drill hole should be covered by the head of the screw. The required expansion play is established based on the largest distance of the fixed point to the board edge. The floating point drill hole diameter must be increased by 2 mm for every metre of length. In any case, the screw must be positioned exactly in the centre of the drill hole. If necessary, this can be ensured by using suitable drilling jigs.

When necessary, use washers for the construction. In the figures, an EPDM sealing tape has been applied to the wooden sub-structure for protection against moisture. EPDM is very resistant to UV, ozone and other atmospheric influences.

5.8. Fittings

The following points must be observed when placing fittings on wood-based materials:

- Handles or similar, which are screwed into the surface of the board, should be tightened as evenly as possible and not too tightly, otherwise indentations may occur in the boards (Fig. 15).
- In the case of blind holes in the board (Fig. 16), make sure that a residual thickness of 3 mm is maintained.



Figure 15

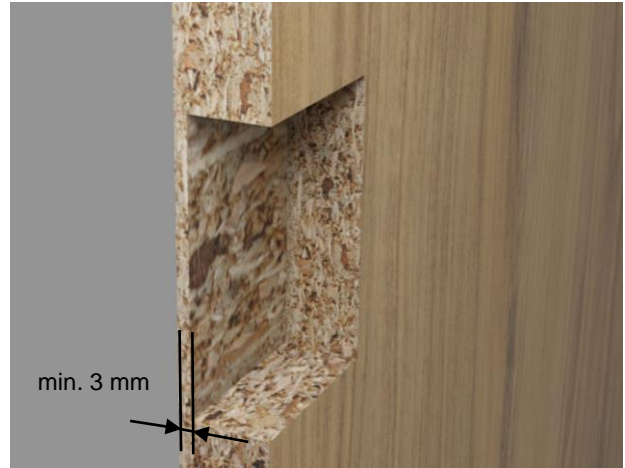


Figure 16

6. Applications

It remains the user/purchaser's responsibility to ensure materials are fit for their intended purpose; the provision of information does not release the user/purchaser from their obligation to assess this material and any production process for suitability. Thanks to their robustness and suitability for everyday use, wood-based materials are particularly well suited for use as interior wall cladding. We recommend a minimum board thickness of 8 mm for such applications. The substrate should be completely dry before applying the cladding. Always ensure sufficient rear ventilation or acclimatisation of the boards. The material may not be exposed to trapped moisture. All parts to be joined together must follow the same production direction.

6.1. Wall cladding

6.1.1. Substructure and rear ventilation

Wood-based materials must be attached to a stable, corrosion-resistant and force-fit substructure that securely supports the weight of the wall cladding and ensures ventilation behind the elements (see Fig. 17). In dry construction applications, the attachment of the substructure and the wood-based material must be anchored to the stud framing.

The selection of the fasteners has to be tailored to the substructure and the weight of the wall cladding. Different climate conditions in front of and behind the elements can lead to warping. It is therefore essential that wood-based material wall cladding installations always make provision for adequate ventilation to the rear of the boards, which allows temperature and humidity to equalise. Ventilation must be towards the room side.

If there is no rear ventilation or a rear ventilation gap < 2 cm, absorbent mineral substrates such as walls or the plaster must be pre-treated with waterproof, elastic barriers.

These barriers are generally painted on and prevent the penetration of water into the masonry, which is essential for application in a humid room.

Vertical battens generally permit air circulation. Where substructures are arranged horizontally, an appropriate construction must ensure that adequate ventilation is provided. The substructure should be vertically plumb to allow tension-free mounting full surface. Suitable substructures include vertical strips of wood, aluminium or wood-based-materials.

The maximum spacing of the battens or the substructure depends on the wood-based material thickness used. It is important to ensure that air inlet and outlet areas remain unobstructed so that air circulation is not impeded. Also ensure that the moisture of the surface to be panelled does not differ significantly from the moisture of the finished component.

The following are differentiated:

- visible mechanical fastening
- concealed mechanical fastening
- concealed glued fastening

6.1.2. Visible mechanical fastening

Fastening is done via screws or rivets on the substructure. A sufficient expansion play and the right positioning of floating and fixed points must be taken into account (see Fig. 13 and 14). An EPDM tape must be used for decoupling when using wood as substructure.

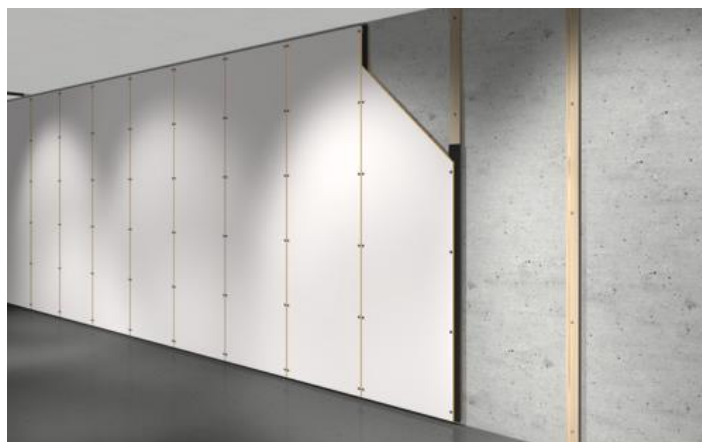


Figure 17

6.1.3. Concealed mechanical fastening

The concealed fastening of wood-based boards by hanging permits straightforward disassembly and appears more visually appealing in comparison to visible fastening methods. Removing the boards is quick and simple. Cables and pipework installed behind the elements are easy to reach. Depending on the chosen fastening system, another advantage is that the elements can be adjusted later on. Tension-free mounting of the elements is also possible. For all fastening methods that involve hanging, sufficient space must be allowed to raise and lower the elements. This air space or “hanging space” remains visible as a shadow gap.



Figure 18

Hanging by means of profile strips

For this fastening method, a groove is cut into the horizontal substructure to hold the rebate rail attached to the wall element. For ease of fitting, the tongue of the rebate rail should be thinner than the groove. The rebate rail on the wood-based boards should not extend across the entire element width, but should be interrupted to allow vertical air circulation. Rebate rails made of plywood or metal Z-profiles can be readily used. If it is not possible to securely screw thin wood-based boards, they can also be glued.

Hanging by means of metal hardware

Systems with metal hardware are also offered for mounting wall elements (Fig. 18). The chosen system must be used according to the manufacturer’s recommendations to ensure secure installation.

6.1.4. Non-visible glued fastening

The fastening of wood-based boards can also be carried out by bonding to a substructure. The substructure system is force-locked to the wall (Fig. 19). When using wood as a substructure, it is necessary to apply a primer as a preliminary step to ensure secure adhesion and moisture decoupling.

Please observe the processing instructions of the adhesive manufacturer.



Figure 19

6.2. Furniture doors

When using wood-based materials as furniture doors, please note the following:

- The board may warp if the front and back of the door have different climatic conditions.
- The number of hinges depends on the hinge type, the dimensions as well as the weight of the door. Use the information provided by hinge manufacturers to calculate the number of hinges and the correct positioning. Suitable hinges are available from Blum, Hettich or Häfele, for example.
- Since format changes in the longitudinal direction are different from those in the transverse direction, it is advisable to always produce door leaves from the board in the same direction

7. Recommendations for cleaning and use

As a general rule, stains and spilled substances such as tea, coffee and wine, etc., should be cleaned up immediately, as the cleaning effort increases if they are left to dry. When cleaning is necessary, mild agents should be used. Cleaning agents must not contain any abrasive components, as they may adversely affect the gloss level or scratch the surface. Since everything from light and fresh soiling to heavy and stubborn dirt caused by various substances is possible, proper cleaning is important.

The following information should be observed for daily use:



Placing burning cigarettes on PerfectSense causes surface damage.
Always use an ashtray.



In general, PerfectSense should not be used as cutting surfaces, as knife cuts leave cut marks even on resistant surfaces. Always use a chopping board.



Placing hot cookware such as pots, pans, etc., as well as continuous heat sources such as a laptop on PerfectSense should be avoided; depending on the heat exposure, a change in gloss level or surface damage may occur. Always use heat protection.



Spilled liquids should always be cleaned up immediately, since longer exposure times of certain substances may affect the gloss level of PerfectSense. Especially in the areas around cut-outs and joints, spilled liquids should always be cleaned up quickly and thoroughly.

These recommendations apply in particular to matt surfaces in combination with dark decors, which are captivating in their look and feel, but make traces of use appear more pronounced.

For more information, please visit www.egger.com/downloads

8. Disposal

Any residues of wood-based materials that accumulate on the construction site, as well as those from demolition measures, should primarily be recycled. If this is not possible, they must be sent for energy recovery instead of being sent to landfill. For combustion, however, it should be noted that wood-based materials generate additional emissions compared to solid wood due to their ingredients such as glue, etc., which could be harmful to the environment, which is why appropriate filter systems are recommended for energy recovery.

Waste code according to European waste catalogue: 170201/030105.

The country-specific laws and regulations on disposal must always be observed.

Provisional note:

These processing instructions were prepared based on the best available information and with due diligence. We accept no liability for any mistakes, errors in standards, or printing errors. In addition, technical changes can result from the continuous further development of EGGER wood-based materials, tool technology and changes to standards and documents of public law. Therefore, the content of these processing instructions cannot serve as a legally binding base.